

PCT

WORLD INTELLECTUAL PROPERTY ORGANIZATION  
International Bureau



INTERNATIONAL APPLICATION PUBLISHED UNDER THE PATENT COOPERATION TREATY (PCT)

<p>(51) International Patent Classification <sup>6</sup> : <b>H04N 7/087</b></p>	<p><b>A1</b></p>	<p>(11) International Publication Number: <b>WO 95/15649</b> (43) International Publication Date: <b>8 June 1995 (08.06.95)</b></p>
<p>(21) International Application Number: <b>PCT/US94/13808</b> (22) International Filing Date: <b>2 December 1994 (02.12.94)</b> (30) Priority Data: 08/160,194      2 December 1993 (02.12.93)      US 08/160,281      2 December 1993 (02.12.93)      US 08/336,247      7 November 1994 (07.11.94)      US (71) Applicant (for all designated States except US): <b>DISCOVERY COMMUNICATIONS, INC. [US/US]; 7700 Wisconsin Avenue, Bethesda, MD 20814-3522 (US).</b> (72) Inventor; and (75) Inventor/Applicant (for US only): <b>HENDRICKS, John, S. [US/US]; 8723 Persimmon Tree Road, Potomac, MD 20854 (US).</b> (74) Agents: <b>NOTO, Aldo; Dorsey &amp; Whitney, Suite 200, 1330 Connecticut Avenue, N.W., Washington, DC 20036 (US) et al.</b></p>		<p>(81) Designated States: <b>AM, AT, AU, BB, BG, BR, BY, CA, CH, CN, CZ, DE, DK, EE, ES, FI, GB, GE, HU, JP, KE, KG, KP, KR, KZ, LK, LR, LT, LU, LV, MD, MG, MN, MW, NL, NO, NZ, PL, PT, RO, RU, SD, SE, SI, SK, TJ, TT, UA, US, UZ, VN, European patent (AT, BE, CH, DE, DK, ES, FR, GB, GR, IE, IT, LU, MC, NL, PT, SE), OAPI patent (BF, BJ, CF, CG, CI, CM, GA, GN, ML, MR, NE, SN, TD, TG), ARIPO patent (KE, MW, SD, SZ).</b></p> <p><b>Published</b> <i>With international search report. Before the expiration of the time limit for amending the claims and to be republished in the event of the receipt of amendments.</i></p>
<p>(54) Title: <b>ELECTRONIC BOOK SELECTION AND DELIVERY SYSTEM</b></p>		
<p>(57) Abstract</p> <p>The invention, an electronic book selection and delivery system (200), distributes text to subscribers (258). The system includes a subsystem for placing text in a video signal format (204) and a subsystem for receiving and selecting video format text (216). The system contains an operation center (250), a video distribution system (208), a home subsystem (258), and a billing and collection system. The operation center (250) and/or video distribution points (1020) perform the functions of manipulation of text data, security and coding of text, cataloging of books, message center, and uplink functions. The home subsystem (258) connects to a video distribution system (208), generates menus and stores text, and transacts through communicating mechanisms (611, 613, 617). A portable book-shaped viewing device (266) is used for viewing the text. The billing system (278) performs the transaction, management, authorization, collection and payments utilizing the telephone system (274).</p>		

**FOR THE PURPOSES OF INFORMATION ONLY**

Codes used to identify States party to the PCT on the front pages of pamphlets publishing international applications under the PCT.

AT	Austria	GB	United Kingdom	MR	Mauritania
AU	Australia	GE	Georgia	MW	Malawi
BB	Barbados	GN	Guinea	NE	Niger
BE	Belgium	GR	Greece	NL	Netherlands
BF	Burkina Faso	HU	Hungary	NO	Norway
BG	Bulgaria	IE	Ireland	NZ	New Zealand
BJ	Benin	IT	Italy	PL	Poland
BR	Brazil	JP	Japan	PT	Portugal
BY	Belarus	KE	Kenya	RO	Romania
CA	Canada	KG	Kyrgyzstan	RU	Russian Federation
CF	Central African Republic	KP	Democratic People's Republic of Korea	SD	Sudan
CG	Congo	KR	Republic of Korea	SE	Sweden
CH	Switzerland	KZ	Kazakhstan	SI	Slovenia
CI	Côte d'Ivoire	LI	Liechtenstein	SK	Slovakia
CM	Cameroon	LK	Sri Lanka	SN	Senegal
CN	China	LU	Luxembourg	TD	Chad
CS	Czechoslovakia	LV	Latvia	TG	Togo
CZ	Czech Republic	MC	Monaco	TJ	Tajikistan
DE	Germany	MD	Republic of Moldova	TT	Trinidad and Tobago
DK	Denmark	MG	Madagascar	UA	Ukraine
ES	Spain	ML	Mali	US	United States of America
FI	Finland	MN	Mongolia	UZ	Uzbekistan
FR	France			VN	Viet Nam
GA	Gabon				

## ELECTRONIC BOOK SELECTION AND DELIVERY SYSTEM

### RELATED APPLICATIONS

This application is a continuation-in-part of U.S. Application Serial  
5 No. 08/336,247 entitled ELECTRONIC BOOK SELECTION AND  
DELIVERY SYSTEM, filed November 7, 1994, and U.S. Application Serial  
No. 08/160,194 and PCT/ US93/11606 entitled ADVANCED SET-TOP  
TERMINAL FOR CABLE TELEVISION DELIVERY SYSTEMS, filed  
December 2, 1993, and U.S. Application Serial No. 08/160,281 and  
10 PCT/US93/11708 entitled REPROGRAMMABLE TERMINAL FOR  
SUGGESTING PROGRAMS OFFERED ON A TELEVISION PROGRAM  
DELIVERY SYSTEM, filed December 2, 1993. These applications are  
incorporated by reference herein.

15

### BACKGROUND ART

Sparked by the concept of an information superhighway, a  
revolution will take place in the distribution of books. Not since the  
introduction of Gutenberg's movable typeset printing has the world stood  
on the brink of such a revolution in the distribution of text material. The  
20 definition of the word "book" will change drastically in the near future.  
Due to reasons such as security, convenience, cost, and other technical  
problems, book and magazine publishers are currently only able to  
distribute their products in paper form. This invention solves the  
problems encountered by publishers.

25

What is needed is a method and apparatus for the electronic  
delivery of text.

What is needed are books which are paperless, easy to read,  
portable, quickly accessible, expandable, searchable, and storable.

30

What is needed is a paperless book distribution system which  
delivers paperless books with high security, convenience, economy, and  
has a wide selection of available titles.

### TECHNICAL FIELD AND BRIEF SUMMARY OF INVENTION

The electronic book selection and delivery system is a new way to  
35 distribute books to bookstores, public libraries, schools and consumers.  
The technological breakthroughs of this invention provide a secure

electronic system for both delivering selected books and receiving payments. The system has an unusual combination of features that provides the consumer with a daily use household appliance that has a high tech aura while being very practical, portable, and easy to use.

5           The clear advantage of the system is that it eliminates the distribution of any physical object such as a paper book or computer memory device from any book or text distribution system. The purchase of a book becomes a PAY-PER-READ™ event avoiding the overhead, "middle-men," printing costs, and time delay associated with the current  
10 book distribution system. Published material and text such as the President's speech, a new law, a court decision on abortion, or O.J. Simpson's testimony can be made immediately available to the consumer at a nominal fee.

15           The system is a novel combination of new technology involving the television, cable, telephone, and computer industries. It utilizes high bandwidth data transmissions, strong security measures, sophisticated digital switching, high resolution visual displays, novel controls, and user friendly interface software.

20           The primary components of the text delivery system are the subsystem for placing the text onto a video signal and the subsystem for receiving and selecting text that was placed on the video signal. The preferred embodiment of the system includes additional components and optional features that enhance the system. The system may be configured for use by bookstores, public libraries, schools and consumers. T h e  
25 system for consumer use is made up of four subsystems, namely: (1) an Operations Center, (2) a video distribution system, (3) a home subsystem including reception, selection, viewing, transacting and transmission capabilities, and (4) a billing and collection system.

30           The Operations Center performs several primary functions: manipulating text data (including receiving, formatting and storing of text data), security encoding of text, cataloging of books, providing a messaging center capability, and performing uplink functions. The system delivers the text from the Operations Center to consumer homes by inserting text data within analog video signals. The insertion of text is

generally performed with an encoder at an uplink site that is within or near the Operations Center. The system can use several lines of the Vertical Blanking Interval (VBI), all the lines of the analog video signal, a digital video signal or unused portions of bandwidth to transmit text data.

5 Using the VBI delivery method, the top ten or twenty book titles may be transmitted with video during normal programming utilizing existing cable or broadcast transmission capability without disruption to the subscriber's video reception. Using the entire video signal, thousands of books may be transmitted within just one hour of air time. Nearly any  
10 analog or digital video distribution system may be used to deliver the video signal with included text.

The home subsystem performs four primary functions: connecting to the video distribution system, selecting text, storing text, and transacting through a phone or cable communicating mechanism. The  
15 components of the home subsystem may be configured in a variety of hardware configurations. Each function may be performed by a separate component, the components may be integrated, or the capability of existing cable set top converter boxes and televisions may be utilized. Preferably, a connector, library unit and viewer unit are used. The  
20 connector portion of the home subsystem receives the analog video signal and strips or extracts the text from the video. The home library stores the text signal, provides a user friendly software interface to the system and processes the transactions at the consumer home. The viewer provides a screen for viewing text or menus and novel user friendly  
25 controls.

The viewing device is preferably a portable book shaped viewer which stores one or more books for viewing and provides a screen for interacting with the home library unit. A high resolution LCD display is used to both read the books and to interact with the home library  
30 software. An optional phone connector or return-path cable connection initiates the telephone calls and, with the aid of the library, transmits the necessary data to complete the ordering and billing portion of the consumer transaction. The user friendly controls include a bookmark, current book and page turn button. The billing and collection system

performs transaction management, authorizations, collections and publisher payments automatically utilizing the telephone system.

A system similar to the system for consumer use may be used in bookstores, schools and public libraries.

5 It is an object of the present invention to provide a method and apparatus for the electronic delivery of text.

It is an object of the present invention to provide a selectable text delivery system.

10 It is an object of the present invention to provide books which are paperless, easy to read, portable, quickly accessible, expandable, searchable, and storable.

It is an object of the present invention to provide a paperless book distribution system which delivers paperless books with high security, convenience, economy, and has a wide selection of available titles.

15 It is an object of the present invention to provide consumers with categories or types of books that each individual consumer enjoys, thus reducing the waste incurred by consumers in selecting books that will not be read.

20 It is an object of the present invention to utilize existing communication links so that paperless books may be distributed economically and efficiently.

#### **BRIEF DESCRIPTION OF DRAWINGS**

25 Figure 1 is a block diagram of the primary components of the electronic book selection and delivery system.

Figure 2 is a schematic showing an overview of the electronic book selection and delivery system.

Figure 3 is a schematic of the delivery plan for the electronic book selection and delivery system.

30 Figure 4 is a block diagram of the operations center.

Figure 5a is a flow diagram of the processing at the operations center and uplink.

Figure 5b is a block diagram of the hardware configuration for an uplink site.

Figure 6a is a block diagram of the hardware configuration for a four component home subsystem.

Figure 6b is a schematic of a two unit home subsystem.

5 Figure 7 is a flow diagram of the processes performed by the video connector.

Figure 8 is a block diagram for an example of a library unit.

Figure 9 is a flow diagram of some of the processes performed by the library on the received data stream.

10 Figure 10 is a flow diagram of the processes performed by the library unit on information requests from the viewer.

Figure 11 is a block diagram showing the components for an example of a viewer.

Figure 12 is a flow diagram of some of the processes performed by the viewer on an information request from a subscriber.

15 Figure 13 is a chart depicting the menu structure and sequencing of menus in the menu system.

Figure 14a is a schematic of an introductory menu.

Figure 14b is a schematic showing an example of a main menu.

20 Figures 14c, 14d, 14e, 14f, 14g, 14h, 14i and 14j are schematics showing examples of submenus.

Figure 15 is a schematic diagram of an electronic book system for a bookstore or public library.

Figure 16a and Figure 16b are schematics of hardware modifications or upgrades to a set top converter.

25 Figure 17 is a schematic showing a set top terminal that includes a data receiver and data transmitter.

Figure 18a is a schematic of a book-on-demand system.

30 Figure 18b is a schematic of an operations center supporting a book-on-demand system.

**DISCLOSURE OF INVENTION, BEST MODE FOR CARRYING OUT  
INVENTION, INDUSTRIAL APPLICABILITY, AND DETAILED  
DESCRIPTION OF INVENTION**

The primary components of the electronic book selection and  
5 delivery system 200 are an encoder 204, a video distribution system 208,  
a connector 212, and a text selector 216 as shown in figure 1. The  
encoder 204 places textual data on a video signal to form a composite  
video signal. Although the composite signal may contain only textual data,  
it usually carries both video and textual data. A variety of equipment and  
10 methods may be used to encode text data onto a video signal. The video  
distribution system 208 distributes the composite video signal from the  
single point of the encoder 204 to multiple locations which have  
connectors 212. The connector 212 receives the digital or analog video  
signal from the video distribution system 208 and separates, strips or  
15 extracts the text data from the composite video signal. If necessary, the  
extracted text data is converted into a digital bit stream. Text selector  
216 works in connection with the connector 212 to select text.

Using a connector 212 and text selector 216 combination, various  
methods of selecting and retrieving desired text from a composite or  
20 video signal are possible. Text may be preselected, selected as received  
or selected after being received and stored. The preferred method is for  
the connector 212 to strip or extract all the text from the video signal  
and have the text selector 216 screen all the text as received from the  
connector 212. The text selector 216 only stores text in long term or  
25 permanent memory if the text passes a screening process described  
below.

An overview of a preferred embodiment is shown in figure 2. The  
system 200 includes: an operations center 250 including an uplink site  
254, a video distribution system 208, a home subsystem 258 including a  
30 video connector 212, a library 262, a viewer 266, and a phone connector  
270, telephone system 274 and a billing and collection subsystem 278.  
The operations center 250 receives textual material from outside sources  
282 such as publishers, newspapers, and on-line services. The  
operations center 250 receives this textual material in various digital



formats and converts the textual material to a standard compressed format for storage. In so doing, the operations center 250 creates a pool of textual material that is available to be delivered to the home system 258. Normally, the text material is grouped by books or titles for easy access.

As used herein, "book" means textual or graphical information such as contained in any novels, encyclopedias, articles, magazines or manuals. The term "title" may represent the actual title assigned by an author to a book, or any other designation indicating a particular group, portion, or category of textual information. The title may refer to a series of related textual information, a grouping of textual information, or a portion of textual data. For example, "Latest Harlequin Romance", "Four Child Reading Books (Ages 10-12)", "Encyclopedia 'BRITANNICA'™", "President's Speech", "Instruction Manual", "Schedule of 4th of July Events", "Pet Handbooks", "Roe v. Wade", and "The Joy of Cooking" are suitable titles. Also, the title may be a graphical symbol or icon. Thus, a picture of a wrench may be a title for a repair book, a picture of a computer a title for a computer book, a graphical symbol of a telephone a title for a telephone book, a drawing of a dagger a title for a mystery book, a picture of a bat and ball a title for a sports book and a picture of tickertape a title for a business book.

The operations center 250 includes an uplink site 254 for placing the text onto a video signal and sending the composite video signal into a video distribution system. The uplink site 254 would generally include an encoder 204 (not shown in Figure 2) to encode the text onto a video signal.

Many analog and digital video distribution systems 208 can be used with this text delivery system 200, such as, cable television distribution systems, broadcast television distribution systems, video distributed over telephone systems, direct satellite broadcast distribution systems, and other wire and wireless distribution systems. Nearly any distribution system which can deliver a video signal will work with the text delivery system 200. It is also possible to distribute the text without using a video signal as described below.

The home subsystem 258 performs five primary functions, (1) connecting with a video distribution system, (2) selecting data, (3) storing data, (4) displaying data, and (5) handling transactions. An important optional function of the home sub-system 258 is communicating using a telephone communication system 274. The home subsystem 258 is made up of primarily four parts: a video connector 212 or similar type of connector for connecting with a video distribution system 208, a library unit 262 for storing and processing, a viewer unit 266 for viewing menus and text and a telephone connector 270 for connecting with a telephone communications system 274.

The billing and collection subsystem 278 may be co-located with the operations center 250 or located remote from the operations center 250. The billing and collection subsystem 278 is in communication with the home subsystem 258 via telephone-type communication systems (for example 274). Any of a number of telephone type communication systems, such as, a cellular system, will operate with the billing and collection system 278. The billing and collection system 278 records the books or portions of text that are selected or ordered by the subscriber. The collection system will charge a subscriber's credit account or bill the subscriber. In addition, the billing and collection system 278 will monitor that amount due to publishers or other outside sources 282 who have provided textual data or other services such as air time to enable the text delivery system 200 to operate.

Figure 3 is an expanded overview of a preferred delivery plan 301 for the electronic book selection and delivery system 200. It is a comprehensive delivery plan 301 to support various types of users and various billing systems. Figure 3 shows that publishers 282 will provide text transfer 302 to the operations center 250' and receive payments 306 from the billing and collection system 278'. A separate channel uplink site 254' is shown in this configuration receiving data 310 from the operations center 250'. The operations center 250' has three separate sections (318, 322, 326) one for text receiving, formatting and re-entry 318, a second for security encoding 322 and a third section for catalog and messaging center functions 326.

The collection and billing system 278' shown has two sections (330, 334) one for transaction management, authorizations and publisher payments 330, and the other for customer service 334. The customer service section 334 provides for data entry and access to customer account information. Transaction accounting information 338 is supplied to credit card companies 342 by the transaction management section 330 of the billing and collection system 278'. The credit card companies 342 provide billing 346 to customers either electronically or by mail.

Three methods for communicating between the subscriber base 348 and the billing and collection system 278' are shown: by telephone switching 350 alone, cellular switching 354 and telephone switching 350 combined, and by use of the cable system 358 and the telephone switching 350. The system shown supports both one-way 362 and two-way cable communication 366 with subscribers. Public libraries and schools 370 as well as bookstores 374 may use the delivery system 301.

Public libraries and schools 370 would have a modified system to allow the viewer to be checked-out or borrowed while bookstores 374 would rent or sell the viewer and sell electronic book data. The bookstores 374 as well as the public libraries and schools 370 may be serviced by cable 378. Optional direct broadcast systems (DBS) 382 can also be used with the system 200.

#### **I. The Operations Center**

Figure 4 is a schematic of an operations center 250 which includes an uplink 254. The Operations Center 250 gathers text or books by receiving, formatting, storing, and encoding. A data stream 302 containing text is received at the operations center 250 by a data receiver 402. The data receiver 402 is under the control of a processor 404. After reception, the data stream is formatted using digital logic for formatting 406 which is also under the control of the processor 404. If any additional text is being generated at the operation center 250 locally for insertion into the distributed signal, the text generation is handled through text generator hardware 410 which may include a data receiver and a keyboard (not shown). Following processing by the text generator

410, the additional text can be added to the text received by the combining hardware 414 that includes digital logic circuitry (not shown).

The processing at the operations center 250 is controlled by a processor 404 which uses an instruction memory 416. The processor  
5 404 and instruction memory 416 may be supplied by a personal computer or mini-computer. To perform the catalog and messaging functions, the operations center 250 uses a catalog and message memory 420 and the text generator 410 if necessary.

The data stream of text, catalog and messages is preferably  
10 encoded by security module encoding 424 prior to being sent to the uplink module 254. Various encoding techniques may be used by the security encoding module 424 such as the commercial derivative of NSA's encryption algorithm (Data Encryption System (DES)) and General Instrument's DigiCipher II. Following encoding, the encoded text may be  
15 stored in text memory 428 prior to being sent to the uplink 254. It is preferred that a first-in-first-out text memory arrangement is used under the control of the processor 404. Various types of memory may be used for the text memory 428 including RAM. The operations center 250 may use file server technology for the text memory 428 to catalog and spool  
20 books for transmission as is described below.

To transmit textual data, the delivery system 208 uses high bandwidth transmission techniques such as those defined by the North American Broadcast Teletext Standard (NABTS) and the World System Teletext (WST) standard. Using the WST format (where each line of the  
25 Vertical Blanking Interval contains 266 data bits), a four hundred page book, for example, may be transmitted during programming using four lines of the Vertical Blanking Interval at a rate of approximately one book every 1.6 minutes (63,840 bits per second). Alternatively, books may be transmitted over a dedicated channel, which interrupts programming so  
30 that 246 lines of video can be used to transmit approximately 2,250 books every hour (3.9 Mbits per second). A teletext type format is the simplest but possibly the slowest text format to use with the system 200. In either event, an encoder 204 is utilized at an uplink site 254 to insert textual data into the analog video signal. In many other respects, the

delivery of the textual information is completed using existing cable television plant and equipment.

Figure 5a is a flowchart of the steps involved in processing text from the publisher or provider 282 that occurs at the operations center 250. As shown in block 500, the publisher 282 processes data files of text for books, compresses, encrypts and sends the data files to the operations center 250 or uplink 254. Text files for books are preferably sent one book at a time. As shown in block 504, the uplink 254 or operations center 250 receives and processes the data stream from the publisher 282. Generally, part of this processing includes encryption and error correction.

As shown in block 508, files are broken into smaller packets of information. Header information is added to the packets. The bit stream is converted from a serial digital bit stream to an analog bit stream that is compatible with an NTSC video signal. Block 512 shows the switching of analog data into the video lines of a video signal. The analog data is generally placed either in the VBI or the active video lines. In some instances, it may be preferable to utilize unused portions of bandwidth (such as 5-40 MHz, 70-75 MHz, 100-109 MHz or other guard bands) instead of the video lines.

Figure 5b is an example of a hardware configuration to perform some of the functions for blocks 508 and 512. A video feed 516 is received and processed through a sync stripper 520. The stripped sync signal 532 is used by the digital logic control 524. The digital logic control 524 receives the sync signal 532 and a serial digital bit stream 528 for processing. The digital logic control 524 passes the serial digital bit stream to the Digital to Analog converter 536 and outputs a control signal 540 for the video switch 544. The video switch 544 integrates the video feed 516 and analog data stream 548 into a video feed with analog data signal inserted 552.

As an alternative to cable, broadcast or other television delivery methods, the public telephone system may be used to transmit books to the subscribers. An average book would take about 7 minutes to transmit over the public telephone system. Using the telephone system, it is not

necessary to combine video and text into a composite signal. In most other respects, the operation center would remain similar whether text delivery was by telephone or cable. It is preferred that file server technology (such as that described in U.S. Patent No. 5,262,875, entitled  
5 AUDIO/VIDEO FILE SERVER INCLUDING DECOMPRESSION/PLAYBACK MEANS, issued to Mincer, et al., and, U.S. Patent No. 5,218,695, entitled FILE SERVER SYSTEM HAVING HIGH-SPEED WRITE EXECUTION, issued to Noveck, et al., incorporated herein by reference) be used at the operation center with a telephone system text delivery method.

## 10 **II. The Home Subsystem**

The hardware configuration for a four component home subsystem 258 is shown in figure 6a. Figure 6b shows a hardware configuration for a two component home subsystem. The home subsystem 258 performs several functions, such as receiving data and video transmissions,  
15 stripping (or extracting) the data from the video signal, screening and storing the data, providing user friendly interface controls and software, displaying menus and text, processing transactions, initiating telephone calls and transmitting billing data. Various hardware configurations may be utilized to achieve the desired functions of the home subsystem 258.  
20 For example, as shown in figure 6b, the home subsystem 258 can be configured to utilize the reception and channel tuning capability of the current installed subscriber base of cable converter boxes and televisions 601. The home subsystem 258 can also be designed as an advanced set top terminal converter box with menu generation capability, electronic  
25 memory and a telephone modem as described in section V below.

The electronic components which make up the home subsystem 258 can be arranged in a variety of ways. In the four unit subsystem of figure 6a the viewer 266 and library 262 are wired together while the remaining components communicate through RF transceivers 604. In a  
30 simple version of the home subsystem 258 there are only two units, a library 262 and a viewer 266. Figure 6b shows a two unit home subsystem 258 with certain optional features.

The viewer 266 is generally equipped with a high resolution viewing area 602, digital logic (including a key 605, security 606, and a

microprocessor 621), video graphics control and memory 607, power supply circuitry 602 (not shown), an optional battery 603 and an optional RF transceiver 604. In a two unit arrangement, the library 262 contains the connector function to the video distribution system 208, connector  
5 function to a public telephone communications system, and memory 600 (which may be removable and portable 600'). More specifically, the library 262 would include data stripping functions 617, digital logic 609, memory storage 600, power circuitry 610, optional telephone connections 611 (including cellular or PCN 611'), optional battery (not  
10 shown), optional tuner module 613 and an optional RF transceiver 604. The video connector 212 and the public telephone system connection 270, as well as the removable portable memory unit 600 of the library may be broken out into separate components. (Figure 6b shows a removable portable hard disk memory 600' with removable cartridges  
15 614.) Therefore, the home subsystem 258 may have as many as five separate components which communicate with each other. The two, three, four or five separate components which make up the home subsystem can communicate with each other in a variety of ways, including hardwired connection 615, RF transceiver 604 and other  
20 wireless methods.

RF communications are preferred in the home because it allows separate components to be located throughout the home without restriction. The data communicated between the units is preferably secure data. In addition, the library 262 may provide power to the viewer  
25 266 through the hard wire communication link 615.

Alternatively, a single unit may perform all of the home subsystem 258 functions. The single unit should use light-weight materials, including a light-weight battery. A single unit eliminates the need to communicate (externally) between units. The single unit is less  
30 expensive and eliminates duplicative processing, memory storage and power circuitry.

To receive and strip the data from the video signal at the consumer's home, either a cable interface device or cable connector 212 is used. The cable connector device includes a tuner 613, while the

cable interface device makes use of existing tuning equipment in the home. In either configuration, data is stripped from the video signal and stored at the subscriber's location in the library 262. The phone connector 270, and modem 611 initiate telephone calls and transmit  
5 ordering and billing information to the Operations Center 250 or billing and collection system 278. A digital connector 619 is provided to communicate digital information with the set top 601. The home library 262 is the intelligent component of the home subsystem, incorporating the hardware and software necessary to store the text data, generate  
10 menus and effect the purchase transactions. In addition to an RF transceiver 604, the home library 262 also includes the necessary jacks and connections to allow the system to be connected to the viewer 266. As shown in figure 6b, the library 262 communicates the text data to the viewer in a secure format which requires a key 605 for decryption. The  
15 text is generally only decrypted page by page just before viewing.

**a. The Video Connector**

Figure 7 shows the flow of the processes performed by the video connector 212. The video connector receives the video signal 608, tunes to the channel containing the text data 612, strips the text data from the  
20 video signal 616, and communicates the text data stream to logic components in the library 620.

The connection to the video distribution system is preferably a cable connector to a cable television delivery system, as shown in Figure 6b. The cable connector includes a data stripper circuit 617, which  
25 accepts video input from either a set top converter, TV or VCR 601, or an optional tuner block 613 that receives the CATV signal through the cable connector 212'. The data stripper circuit 617 strips data out of the video, and outputs a digital bit stream to the digital logic portion 609 of the library unit 262. The data is embedded in the video signal either in  
30 the vertical blanking interval or the active video portion in an encrypted and compressed format. The data stripper circuit 617 can be placed inside the set top converter box 601, TV, or in the library unit. The data stripper circuit 617 outputs the digital bit stream to be used by the library digital logic 609.



The video connector 212 may also contain a channel tuner module 613 that can tune to the video channel and provide access to the video that contains the data to be stripped. Using the optional tuner module 613, a set top converter, VCR, or TV tuner is not needed in the home subsystem. The optional tuner module 613 would instead receive the CATV signal directly through the cable connector 212.

**b. Library**

An embodiment of the library 212 for a two unit home subsystem is shown in both Figure 6b and Figure 8. The embodiment shown includes the following optional parts the video connector 212, phone connector 270, RF transceiver 604, and battery pack 624 in addition to a removal portable memory 600', microprocessor 628, instruction memory unit 632, digital logic 636, and power unit 640.

The library 262 contains a digital logic section 609 (not shown in Figure 8) which includes the microprocessor 628, the digital logic 636 and the instruction memory unit 632. The microprocessor 628 is preferably a secure microprocessor such as the Mot SC21 device sold by Motorola. The digital logic section 609 will receive the serial digital bit stream from the data stripper circuit 617 and process the data. Error correction will also be performed by the digital logic section 609 and the data will be checked for proper address. If the address of the data is correct and the library 262 is authorized to receive the data, the data will be transferred to the memory storage unit 600, 600'. Authorization to receive the data is provided by the cable headend or another distribution point. An authorization code may be sent in the serial digital bit stream. The digital logic section 609 will send appropriate text and graphical data to the memory storage unit 600, 600'. It transfers this data in a compressed and encrypted format and the data remains stored in a compressed and encrypted format.

**30            **i. Memory Storage Unit****

The memory storage unit of the library is preferably a removable portable memory unit 600' (as shown in figures 6a, 6b and 8). A variety of options are available for memory storage: a hard disk drive, such as an 80 megabyte, a 200 megabyte, a hard disk with removable platters, and CD

ROM. Referring to figure 6b, a hard disk drive unit 600' which contains removable platters may also be used. This would provide virtually unlimited library storage capacity. Data will be stored in the memory storage unit in a compressed and encrypted format. As is also shown in  
5 figure 6b, the data will also contain a key or unique ID number that matches the ID or key of the viewer 266. This matching of a unique key or ID number prevents unauthorized transfer of text data from the memory storage unit to an unauthorized viewer. Small memory devices such as smart cards, electronic memory cards or PCM CIA cards  
10 (personal computer memory card industry association) may also be used to store the data.

#### **ii. Power Circuitry**

As shown in figures 6b and 8, the library 262 will accept power from either AC wall power 610, DC power 640, or optional battery power  
15 624. It is preferred that the power circuitry 610, 640 provide all the voltage necessary from either the battery 624 or AC unit for the various circuitry in the library. Preferably the power circuitry 610, 640 will also provide power to the viewer through a single data cable when connected to the viewer. The power circuitry 610, 640 will recharge the battery  
20 using AC power when in operation. With the optional battery unit 624 installed, the library 262 becomes a portable unit and can still provide power to the viewer 266. In order to extend battery life, power conservation measures may be utilized, such as shutting down the memory system when not in use. When the viewer unit 266 is being  
25 utilized and the library circuitry is not being utilized, virtually all power may be shut down to the library 262.

#### **iii. Connection to the Public Telephone System**

The connection to the telephone system is preferably provided by a modem 611. Various available modems may be used to perform this  
30 function. As shown in figure 6b, cellular phone or PCN phone connections 611' may also be provided. When the home subsystem 258 is first initialized, the modem will be used to transfer the name and credit card information of the consumer to the billing and collection subsystem 278. The telephone connection 270 may be utilized each time

a book is purchased by a consumer to complete and record the transaction. The telephone connection 270 may also be used as a means for receiving the text data from the operations center 250, by-passing the video distribution system 208. The phone connection 270 may be a  
5 separate unit as shown in Figure 6b.

**iv. Library Processing**

Figure 9 shows an example of some basic processing performed by the library 262 on the data stream 651 received from the video connector 212 or stripper circuit 617. First the data stream 651 is  
10 checked for error correction by block 650. If an error is detected, block 654 de-interleaves the data followed by block 658 running a FEC (Forward Error Correcting) algorithm. The combination of block 650, 654 and 658 perform the error correction needed on the data stream. If  
15 no error correction is necessary the data proceeds to block 662 where packets are individually checked for packet address.

If the address is a unique address, block 666 checks whether the address of the packet matches the library box ID number. The library box ID number is a unique number associated with that library 262 which is used to ensure security of the data. Block 670 determines whether an  
20 electronic file has already been opened into which the data packet can be saved. If no data file has been opened then block 674 opens a new data file for that packet. If an electronic file has been opened, then the packet is saved in that electronic file on disk, block 678. Next, the process checks to see if this is the last packet for a particular book for a  
25 particular textual data block being received 682. If it is the last packet of information, then the electronic file is closed and the directory of available electronic files is updated 686. Following either block 682 or 686, the process returns to receive another data packet from the data stream received from the data stripper block.

30 If the packet address is checked and the address is determined to be a broadcast address, the process determines the type of message that is being sent 690. The message may be an index of book titles, menu (and menu graphics) information, announcements, special offerings, discounts, promotions, previews etc. The message is then stored in

appropriate electronic message file 694 and the process is returned to block 650 to receive another data packet and perform another error check.

5 Using the process of Figure 9, the library 262 is able to receive, store and update directories related to the textual data and graphical data (that can be used to depict pictures in a given book or to generate menus). Variations of the processes are possible depending on the format of the data and operating system of the library 262.

10 Figure 10 shows an example of the processing of information requests from the viewer 266 at the library 262. Information requests from the viewer 266 are received either through the cable connecting the viewer 266 to the library 262 or through wireless transmissions such as RF. It is possible in some embodiments for subscribers' requests to come from a set top converter box 602 (see Section V).

15 Information requests received from the viewer 266 generally fall into three categories: (1) directory data of books stored in the library 262, (2) index of all available books on the system, and (3) requests for a specific book (Block 700). Process block 704 answers a request from the viewer 266 for a directory of data showing the books stored at the viewer 20 266. The directory of data is sent to the viewer 266 so that it may be displayed to the subscriber. Process block 708 handles requests from the viewer 266 for an index of all available books on the system. The library 262 will obtain an index of all the available books on the system and transmit that index, process 712, with menu information to the viewer box. Process block 716 replies to a request from the viewer 25 266 for a specific book. The library 262 opens an electronic file for the specific book requested by the viewer 266 and transmits the record or transmits the information on a packet-by-packet basis to the viewer, 720. This process of transmitting the specific book, record, or packets to the viewer continues until the last record or packet has been sent, 724. 30

In addition to the processes shown on Figure 10 in handling a request for a specific book, the library 262 also orders and receives specific books from the operations center 250 using the process as described in process block 716. Following a request for a specific book

which is not stored at the library 262, the library 262 will proceed to determine the next available time the book will be on the video distribution system 208 and ensure reception and storage of that book (process not shown). In performing this process the library 262 will  
5 transmit to the viewer information on when it will obtain the text data for the book so that the subscriber may view the book. In addition to timing information, price and other ordering information may also be passed by the library unit 262 to the subscriber.

**c. The Viewer**

10 Figure 11 is a block diagram of a viewer 266 showing its internal components. The viewer 266 of Figure 11 is similar to the viewer 266 depicted in Figure 6b. The viewer 266 is designed to physically resemble a bound book. The viewer 266 is made up of five primary components and four optional components: (1) LCD display 602, (2) digital circuitry  
15 (not shown), (3) video graphics controller 607', (4) controls 740, (5) book memory 728, (6) optional power supply circuitry 736, (7) optional battery 603', (8) optional RF transceiver 604, and (9) optional cellular or mobile communicator (such as 611').

(1) A high resolution LCD screen 602, preferably of VGA quality,  
20 is used by the viewer 266 to display text and graphic images. The screen is preferably the size of one page of a book. A two page screen or two screens may also be used with the viewer 266.

(2) Digital circuitry that includes a secure microprocessor 621, instruction memory 732, and digital logic. Data is transferred to the  
25 viewer 266 in compressed and encrypted format. The secure microprocessor 621 compares the ID number of the viewer 266 with the incoming data stream and only stores the text data if the ID number of the viewer 266 matches that within the incoming data stream. It is preferred that the viewer 266 not output text data or other data and that  
30 the data is decompressed and decrypted only at the moment of viewing and only for the current page being viewed. These measures are preferred because they provide additional security against unauthorized access to data.

(3) A video graphics controller 607' that is capable of assisting and displaying VGA quality text and graphic images is included in the viewer 266. The graphics controller 607' is controlled by the digital circuitry described above. Text may be displayed in multiple font sizes.

5 (4) The viewer 266 of Figure 11 has touch panel controls 740. These unique and novel controls 740 allow the consumer to select stored books and books from catalogues, move a cursor, and turn pages in a book. Typically, the preferred controls 740 include forward and reverse  
10 page buttons 742, 741, a ball 743 for cursor movement, one or more selection buttons 745, a current book button 747 and a bookmark button 749 (see Figure 14a).

The controls 740 should be easy to use and conveniently located. Referring to Figure 14a, the controls for the viewer 266 are preferably located below the screen 602 at the bottom portion of the viewer 266.  
15 The next page turn button 742 is the most used button 740 and is preferably located towards the right edge of the page. The subscriber is likely to use right hand thumb movements to work the controls particularly the page turn buttons 741, 742. Therefore, it is preferred that the buttons be arranged in such a manner that the buttons are easily  
20 controlled by a subscriber's right thumb. Generally, this can be accommodated either on the lower portion of the viewer 266 (as shown) or along the right hand margin of the viewer 266 (not shown). The current book button 747 and bookmark button 749 are usually the least used of the controls 740. Therefore, in the example shown those buttons  
25 747, 749 are located on the inside portion towards the binder of the viewer 266.

Locating the ball 743 or other cursor movement device (such as four pointer arrows not shown) in the bottom center of the viewer 266 is both easier for the subscriber to use and easier in manufacturing the  
30 viewer 266. The selection buttons for the cursor 745 are preferably located below the middle diameter of the cursor ball 743 on the right and left sides of the ball as shown. If pointer arrows are used for cursor movement, a selection button 745 may be located in the center of the four arrow buttons (not shown). Again, the most used controls 740

should be located where a subscriber's right hand thumb would normally rest.

5 (5) Book memory 728 for at least one book or more of text is included in the viewer 266. The memory 728 stores text and any  
10 graphics which represent pictures in a book. The memory 728 can also store menu graphics data. Two different memory 728 devices may be used in the viewer 266, one for the instructions for the microprocessor 621 in the digital circuitry and a second type of memory may be used for the book memory 728 (and graphics). Various memory devices available  
15 on the market may be used such as, ROM, RAM or a small hard disk. Since a book requires approximately 0.6 megabytes of storage, a small hard disk providing approximately 60 MBytes of storage provides memory to store approximately 100 books.

15 Text for books may be displayed in various font sizes. To accommodate various fonts for display, a variety of fonts are stored in instruction 732 or book memory 728. Thus larger or smaller fonts may be recalled from memory 621, 728 to create displays desired by the subscriber.

20 (6) Power supply circuitry 736 in the viewer 266 will accept power from either an AC power source or from an optional battery 603', or the library 262. The power supply circuitry 736 provides the necessary voltages to accommodate the various systems within the viewer 266.

25 (7) An optional battery 603' is provided in the preferred embodiment. The battery 603' is automatically recharged when AC power is available.

(8) An optional RF transceiver 604 which provided two-way data link between the viewer 266 and other components of the home subsystem can also be included in the viewer 266.

30 (9) Also, the viewer 266 may include a cellular transceiver (not shown) for mobile communications.

The viewer 266 of Figure 11 has parts available for providing connections to: a library 744, electronic card memory 748, CD ROM units 752, and a portable memory unit 756 (such as that shown in Figure

6b 600'). Various electronic memory cards such as PCM CIA can be used with this viewer 266.

Security, low power consumption and excellent display technology are desired features of the viewer 266 design. The viewer 266 should be  
5 lightweight and portable. The viewer 266 contains a software operating system that allows books to be stored, read and erased and includes the capability to order books and retain them in memory 728 for a predefined period of time determined by the system operator. The software can be configured to allow the book to be read during a period of  
10 time (i.e., two weeks) and then automatically erased, read once and erased, or held in memory permanently. Each viewer 266 has a unique key 605. All of the data storage is encrypted with the key 605 for an individual viewer 266 to prevent more than one viewer device 266 accessing the text file or book file.

15 Figure 12 is a flow diagram of some of the processes executed by the viewer 266. Generally, the viewer 266 receives inputs from the subscriber through touch panel controls 740. The subscriber's information requests are then processed 800 by the viewer 266.

If the subscriber requests a menu of available books, process block  
20 804 will select a book menu. Process block 808 will open the electronic files which list the books that are available (related to the category of topic of the menu) and display the menu with the names of the available books.

If the subscriber selects a particular book to read, then process  
25 block 812 will process the selection and determine the electronic file that contains the specific book. Process block 816 will open the file for that specific book and normally access the first page. (If a pointer has already been set in that books electronic file, the process may default to that page.) Process block 820 will then determine which page needs to  
30 be displayed. Process block 820 will determine whether a next page, previous page or a bookmarked page needs to be displayed. If the pointer for the electronic file is not in the correct location then process block 828 will move the pointer and obtain the previous page of data from the stored file. Otherwise, process block 824 will normally obtain the next



page of text from the stored electronic file. Process block 832 will decrypt and decompress the text data and send the data to the video display. The video display will generally have a video display memory associated with it and process block 832 will send the data directly to that video display memory. The circuitry for the display then completes the process of displaying the page of text.

If the subscriber, through the controls 740, requests (from process block 800) that the power be turned off, then the process, 836, of turning the power off will be initiated. Process block 840 saves the pointer in memory to the page number in the book that the viewer 266 is currently reading. Process block 844 closes all the electronic files and signals the power circuitry to shut down the power to the various circuits in the viewer 266. With these examples of basic processes the viewer 266 is able to display book selections and display text from those books.

15           **d. Menu System**

Referring generally to Figure 13, it is preferred that the electronic book system 200 have a menu system 851 for selecting features and books from the electronic book system 200. The operating software and memory required for the menu system 851 is preferably located at the viewer 266 (e.g., the instruction memory 732 and/or book memory 728). However, it can also be located at the library 262 (e.g., the instruction memory 632) or the library 262 and the viewer 266 can share the software and memory needed to operate the menu system 851. Since the menus are usually displayed on the viewer 266 and it is preferred that the viewer 266 be capable of operating in the absence of the library 262, the basic software and memory to create the menus is more conveniently located at the viewer 266.

The preferred menu system 851 is a system which allows sequencing between menus and provides menu graphics for graphical displays such as on the LCD display 602 of the viewer 266. In a system which uses a set top converter these menus may also be displayed on a television screen. In the simplest embodiment, the menus provide just basic text information from which the subscriber makes choices. In

more sophisticated embodiments, the menus provide visual displays with graphics and icons to assist the subscriber.

Figure 13 depicts a menu system 851 with sequencing. The primary menus in the system are an introductory menu 850, a main menu 854 and various submenus 858. In the embodiment shown, there are three levels of submenus 858. In certain instances one or two submenus 858 is sufficient to easily direct the subscriber to the selection or information requested. However, there are features in which three or more submenus 858 make the user interface more friendly for the subscriber. Each level of submenus 858 may consist of multiple possible menus for display. The particular menu displayed depends on the selection by the subscriber on the previous shown menu. An example of this tree sequence of one to many menus are the help submenus 887, 888. Depending upon the specific help requested, a different level two help menu is displayed to the subscriber.

An example of an introductory menu 850 is shown on Figure 14a. Generally the introductory menu 850 introduces the viewer 266 to the system and provides initial guidance, announcements and instruction. The introductory menu 850 is followed by a main menu 854, an example of which is shown in Figure 14b. The main menu provides the viewer 266 with the basic selection or features available in the system. Figure 14b is an example of a main menu 854 offering many additional features and submenus 858 to the subscriber. For example, Figure 14b shows that the viewer 266 is able to choose by a point and click method, many options including: (1) free previews, (2) books you can order, (3) books in your library, (4) your current book, (5) help, (6) on-line services and (6) other system features. Following a selection on the main menu 854, a corresponding submenu 858 is shown.

Figure 13 shows eleven available primary or first level submenus. They are (1) account set up 862, (2) free previews 866, (3) book suggestion entries 855, (4) books in your library 872, (5) books you can order 878, (6) your current book 884, (7) help 887, (8) available features 890, (9) messages 893, (10) account information 896 (11) outgoing message submenu 898. Figure 14c is an example of a first level submenu

for books in your library 872. This "Book In Your Library" example submenu 872 shows six available books by title and author and provides the subscriber with the ability to check a different shelf of books 874 or return to the main menu 854. Figures 14d and 14e show example submenus 858 for books that may be ordered using the "Books You Can Order" submenu 878.

Figure 14f is an example of a confirmation menu which confirms a subscribers order. In this particular example, the subscriber is required to enter a PIN number to complete the subscriber's order. Any alphanumeric or similar password may be used to ensure the subscriber is an authorized subscriber. In the preferred embodiment, the subscriber confirms an order with a PIN or password and then receives a final confirmation screen. The final confirmation screen is primarily text and may state:

**Your book order is now being processed via CABLE.**  
**Your book will be delivered overnight and your VISA account will be charged \$2.95.**  
**Your book will be available for reading at 6:00AM EST tomorrow.**  
**Make sure that:**

- 1. your Library Unit and Cable Connection Unit are plugged in with aerials up tonight; and**
- 2. you tune your cable converter to THE BOOK Channel. The TV set does not have to remain on.**

or similar language.

Examples of the "Account Set Up Menu" 862 and further submenus 858 related to account set up (which provide instructions and account input 864) are shown in Figures 14g and Figure 14h. These submenus 858 allow initialization of an account at the operations center 250 and orders to be charged to credit cards. The submenus 858 include the ability to enter data related to your desired PIN number or password, credit cards, phone numbers, etc. It is preferred that the account set up be performed using the telephone system. A confirmation menu verifies that the account has been properly set up with the desired PIN or password and credit card.

Free previews for books 866 are also provided by submenus (868, 870). Examples of the free preview menus are shown in Figure 14i and Figure 14j. Figure 14i shows a menu depicting various books for which previews are available for viewing. Following a book selection, a screen submenu showing an excerpt of the selected book cover's description is provided along with an excerpt from a critic's review of the selected book. In the preferred embodiment, this preview screen for a particular book also allows the subscriber to select a submenu which provides information about the author. The book preview submenu may also include a still video picture or graphics portraying a book cover or a scene from the book. An example of such a still video picture or graphics is shown in figure 14j which depicts a preview screen 870 about the author. The author's preview screen 870 shows a picture of the author, provides a short biography, and may allow the subscriber to order the author's books. The price for ordering the authors various books may also be shown on the menu.

In addition to free previews, in more sophisticated embodiments, the system provides the subscriber with a book suggestion feature (see 855). This is accomplished using the menu system 851 and the processor with associated memory located at the viewer 266, library unit 262 or at the distribution point (1020 or 250). When necessary, information for the program suggestion feature is sent in the text data of the composite or video signal to the home subsystem 258. With this feature, books or authors are suggested to a subscriber based upon historical data of the subscriber's previous orders, demographics or mood of the subscriber, other indicators, and/or by text word searches.

In the preferred book suggestion embodiment, text word searches of preview information (such as book cover descriptions, critics reviews and biographies about the author) and/or text of books or other titles are performed by the library unit 262 using databases stored in the library memory 600. Personalized book or author suggestions are made to the subscriber by obtaining information from the subscriber indicative of general subscriber interests. Subscriber entries are solicited from the subscriber preferably using the book suggestion entries submenu 855.

The system uses these subscriber entries either directly or indirectly to search for books or authors to suggest to the subscriber.

5 Generally, the book suggestion methods may be categorized into two categories, either responsive methods (which respond to a series of subscriber menu entries), or intelligent methods (which analyze data to suggest a book). Using a responsive or intelligent method, the system  
200 determines a list of suggested titles or authors and creates a second or third level submenu 856, 857 to suggest the titles for subscriber selection.

10 Responsive methods of suggesting titles include, for example, the use of mood questions, searching for authors, and keyword searching. Using the instruction memory 732 and menu generation hardware (e.g., 607) of the viewer 266, a series of mood questions can be presented on menus to determine a subscribers interest at a particular time. For this  
15 methodology, the operations center's 250 processor 404 and instruction memory 416 assign each title mood indicators (and subindicators) from a group such as light, serious, violent, short, long, dull, exciting, complex, easy-read, young theme, old theme, adventure, romance, drama, fiction, science-fiction, etc. These indicators are sent to the home subsystem  
20 258 with the text data and are stored in library memory 600. Based upon the subscriber entries, the processor associates a set of indicators with the subscriber's request and a set of books with matching indicators are located for suggesting to the subscriber.

25 Responsive searches for authors or keywords (a search word provided by the subscriber) are generally performed by the library processor 628 and instruction memory 632 on data stored in the library's memory storage 600. For example, a keyword given by the subscriber may be searched for a match in library memory 600 storing the book reviews, critics and previews databases. Thus, if a subscriber  
30 provided an entry of the word "submarine" on an appropriate submenu, the title "Hunt For Red October" may be located by the library processor 600 using instruction from a routine in instruction memory 632.

Intelligent methods of suggesting programs include analyzing personal profile data on the subscriber and/or historical data about the

subscriber such as past books ordered by the subscriber (or buy data). This method is preferred in a book on demand system and can be performed at the distribution point or operations center 250 by the on-site processor 404 using subscriber databases stored in memory 428.

5 The home subsystem 258 receives the text data including program suggestion information from the distribution point or operations center 250 and generates the program suggestion submenus 855, 856, 857 using the same text data receiving 212 and viewer menu generation hardware (e.g., 607, 621) described above. Software routines and  
10 algorithms stored in instruction memories (e.g. 632, 732) are used to analyze historical data and book ordered data to determine a line of books to suggest to the subscriber.

The algorithms for this powerful feature of suggesting books or authors to subscribers is disclosed in great detail in a co-pending  
15 application by the same inventor, U.S. Application Serial No. 08/160,281 and PCT/US93/11708 entitled REPROGRAMMABLE TERMINAL FOR SUGGESTING PROGRAMS OFFERED ON A TELEVISION PROGRAM DELIVERY SYSTEM, filed December 2, 1993, and is incorporated herein by reference.

20 Referring to Figure 13, submenus 858 are shown on the "Books In Your Library" submenu 872 and are preferably broken into shelf numbers with submenus for each shelf 874, 876. The submenus 858 for the "Books You Can Order" submenu 878 is similarly broken out into submenus by shelves 880, 882. These shelves may each be a category or  
25 genre of books. Books may be grouped into categories such as best sellers, novels, fiction, romance, etc. See Figure 14d.

Referring to Figure 13, the submenu 858 for "Your Current Book" 884 allows a subscriber to select a current book 884 and then determine what page to view. This selection is confirmed with a level two submenu  
30 885. The help submenu 887 provides the subscriber with additional help screens 888. The submenus 858 for available features 890 are preferably broken out into a sequence of separate submenus for each feature 891, 892.

Referring to Figure 13, messages can also be sent with the electronic book selection and delivery system 200. A level one message screen provides the subscriber with the ability to select from various messages the subscriber has pending 893. Each message is then shown  
5 on a separate submenu screen 894, 895. The message may contain text and graphics.

Referring to Figure 13, account information is shown on a level one submenu 896 and then follow-on submenus 858 show the recent orders and your account balance 897. There is also a level one submenu for  
10 outgoing messages 898 which has a follow-on submenu used as an input screen 899.

In addition to the specific features and submenus described in Figure 13 and Figure 14a through Figure 14j, many other variations and features are possible. When a book is finally selected for viewing the title  
15 page 886 will appear on the screen followed by a page of text.

### **III. The Billing And Collection System**

The billing and collection system 278 (shown in Figures 2 and 3) utilizes the latest technology in electronic transaction and telephone switching to track orders, authorize deliveries, bill consumers, and credit  
20 publishers automatically. The telephone calls initiated by the phone connector 270 are received by the billing and collection system 278 which responds immediately without human intervention by placing the order and charging the consumers credit card account. Data is compiled periodically and publishers 282 are credited for sales of their books or  
25 other text. The billing and collection system 278 may also connect with subscribers through two-way cable connections, cellular, or other communication means.

It is preferred that the billing and collection system 278 communicate with the operations center to track changes in available  
30 books and to provide statistical data to the operations center 250.

### **IV. Public Library, School, and Bookstore System**

The electronic book system can be modified to be used at public libraries, schools and bookstores. Figure 15 shows one possible arrangement of components for a public library, school or bookstore

location. The main unit at a public library, school or bookstore is the file server 900. The file server 900 is a large electronic memory unit that can store thousands of books. Various electronic storage means may be used in the file servers, such as hard disks, read-write CD ROMs and  
5 read-only CD ROMs.

The system comprises five components; the file server 900, a converter or video connector 904, a controller 908, a viewer 912, and a catalog printer 916. The software for controlling the system is primarily located in the controller 908. The converter or video connector 904 is  
10 similar to those described above. In this configuration the controller unit 908 monitors the data being transferred to the file server 900 by the converter 904. The controller 908 is preferably provided with a viewing screen and several control buttons. When it is necessary to have a larger screen to perform more sophisticated controlling of the system a viewer  
15 266 may be connected to the controller 908 and the viewer screen and controls 740 may be used.

The controller 908 is only able to download books to public viewers 912 which are authorized to receive books from the particular file server 900. For security reasons it is not desirable that the public viewer 912  
20 have access to more than one file server 900. In this way, security can be maintained over the text data for books. It is preferred that the public viewer 912 be limited to receiving one or two books at a time from the controller 908. When the user of the public viewer 912 needs a new or additional book, the user returns the viewer 912 to the school or public  
25 library where the user receives a new book from the controller 908.

In order to track the books that are available on the file server 900, the titles of the available books may be printed on a catalog printer 916. The catalog printer 916 is connected to the library controller 908 and the titles of the books are downloaded to the catalog printer 916. None  
30 of the coded text for any of the books can be printed using the controller 908 and catalog printer 916 of this system. In order to maintain security over the data, none of the book data is allowed to be downloaded to the printer 916. Once a complete printout of available book titles, magazines,



or other textual material is complete, a hard copy of the catalog 920 can be maintained at the file server 900.

The system shown may also be used at bookstores. The bookstores can rent the public viewer 912 to customers with the text for one or two books loaded onto the public viewer 912. The public viewer 912 may be provided with an automatic timeout sequence. The timeout sequence would erase the textual data for the books after a certain period of time, for example, two weeks. It is expected that after a period of time (perhaps within two weeks) the renter would return the public viewer 912 to the bookstore and receive additional books for viewing. Using this arrangement, it is also possible for the bookstore to (permanently) sell a viewer 912 to a regular customer. The customer then returns to the bookstore from time to time to receive textual data for a book which the customer can then store permanently on the customer's own viewer 912. Various other configurations are possible for bookstores, schools and public libraries using the file server 900 and public viewer 912 described.

#### **V. Use Of Set Top Converter**

Existing set top converter boxes such as those made by Scientific Atlanta or General Instruments are presently unequipped to handle the book selection system of the present invention. Although set top converters may be built which include the library functions, hardware modifications are necessary in order to use the book selection system with existing set top converter technology.

Figures 16a and 16b are examples of hardware modifications or upgrades. A port is used to attach hardware upgrades described below to a set top terminal. Two upgrades are possible to set top converters 601 to assist in receiving and selecting electronic books. A menu generation card upgrade (Figure 16a) and an information download unit (Figure 16b). Each of these upgrades may be connected to the set top terminal unit through an upgrade port. A four wire a cable, ribbon cable or the like may be used to connect the upgrade to the set top converter 601.

A card addition 950 to a set top converter 601 is depicted in Figure 16a. The card 950 shown provides the additional functionality

needed to utilize the book selection system with existing set top converter 601 technology. The card 950 may be configured to slip inside the frame of a set top terminal and become part of the set top terminal, an advanced set top terminal. The primary functions the card  
5 950 adds to the set top converter 601 are the interpreting of data signals, generating of menus, sequencing of menus, and, ultimately, the ability of the subscriber to select a book using either the television or a viewer 266. The card 950 also provides a method for a remote location, such as the cable headend, to receive information on books ordered. The  
10 books ordered information and control commands may be passed from the cable headend to the card 950 using telephone lines.

The primary components of the card 950 are a PC chip CPU 952, a VGA graphic controller 954, a video combiner 956, logic circuitry 958, NTSC encoder 960, a receiver 962, demodulator (not shown), and a  
15 dialer 611'. The card 950 operates by receiving the data text signal from the cable headend through the coaxial cable. The logic circuitry 958 of the card 950 receives data 964, infrared commands 966, and synchronization signals (not shown) from the set top converter 601. Menu selections made by the viewer 266 on the remote control are  
20 received by the set top converter's 601 IR equipment and passed through to the card 950. The card 950 interprets the IR signal and determines the book (or menu) the subscriber has selected. The card 950 modifies the IR command to send the information to the set top converter 601. The modified IR command contains the channel  
25 information needed by the set top converter 601. Using the phone line 968 and dialer 611', the card 950 is able to transmit books ordered information to the cable headend. It is also possible to receive the books over the telephone lines and by-pass the video distribution system.

These commands are passed through the interface linking the set  
30 top terminal's microprocessor with the microprocessor of the hardware upgrades. In this way, subscriber inputs, entered through the set top terminal keypad or remote control, can be transferred to any of the hardware upgrades for processing and responses generated therein can then be sent back to the set top terminal for display. In the preferred

embodiment the IR commands 966 are transferred from set top terminal 601 to hardware upgrade.

Hardware upgrades may include a microprocessor, interactive software, processing circuitry, bubble memory, and a long-term memory device. In addition to these basic components, the hardware upgrade  
5 may make use of an additional telephone modem or CD-ROM device.

The information download hardware upgrade 1001 (shown in Figure 16b) allows the subscriber to download large volumes of information from the operations center or cable headend using the set  
10 top converter 601 601. The hardware upgrade 1001 will enable subscribers to download data, such as books and magazines, to local storage. Primarily, the hardware upgrade 1001 is an additional local storage unit 1003 (e.g., hard disk, floppy, optical disk or magnetic cartridge and may include a microprocessor 1005, instruction memory  
15 1007, and a random access memory 1009, as shown in Figure 16b). Preferably, a small portable viewer 266 is also provided with the upgrade 1001 to enable downloaded text to be read without the use of a TV.

The downloadable information may be text or graphics supplied by the operations center 250 or cable headend. With this upgrade, books  
20 may be downloaded and read anywhere with the portable viewer 266. Using this upgrade, books may be downloaded and stored in compressed form for later decompression. The books would be decompressed only at the time of viewing. Important text that the public desires immediate access may made available through this system. Text such as the  
25 President's speech, a new law, or a recent abortion decision rendered by the Supreme Court may be made immediately available.

In the preferred embodiment, book ordering information is stored at each set top terminal until it is polled by the cable headend using a polling request message format. An example of a polling request message  
30 format consists of six fields, namely: (1) a leading flag at the beginning of the message, (2) an address field, (3) a subscriber region designation, (4) a set top terminal identifier that includes a polling command/response (or P/F) bit, (5) an information field, and (6) a trailing flag at the end of the message. A similar response frame format for information

communicated by the set top terminal to the cable headend in response to the polling request may be used.

Figure 17 shows a preferred set top terminal that includes a data receiver 617' and a data transmitter 1011. The data transmitter provides  
5 upstream data communications capability between the set top terminal 601 and the cable headend. Upstream data transmissions are accomplished using the polling system described and, using a data transmitter 1011. Both receiver 617' and transmitter 1011 may be built  
10 into the set top terminal 601 itself or added through an upgrade module. Regardless of the specific hardware configuration, the set top terminal's data transmission capabilities may be accomplished using the hardware shown in Figure 17.

Figure 17 shows RF signals, depicted as being received by a data receiver 617' and tuner 613 working in unison. Both of these devices are  
15 interfaced with the microprocessor 1013, which receives inputs 1015, from the subscriber, either through a set top terminal's keypad, a remote control unit or viewer 266. All cable signals intended for reception on the subscriber's TV are accessed by the tuner 613 and subsequently processed by the processing circuitry 1017. This processing circuitry  
20 1017 typically includes additional components (not shown) for descrambling, demodulation, volume control and remodulation on a Channel 3 or 4 TV carrier.

Data targeted to individual set top terminals is received by the data receiver 617' according to each set top terminal's specific address or ID.  
25 In this way, each addressable set top terminal only receives its own data. The data receiver 617' may receive set top terminal 601 specific data in the information field of the signal frame described or on a separate data carrier located at a convenient frequency in the incoming spectrum.

The received data includes information regarding books and menus  
30 available for selection. The subscriber may enter a series of commands 1015 using a keypad or remote control in order to choose a book or menu. Upon receipt of such commands, the set top terminal's microprocessor 1013 instructs the tuner to tune to the proper

frequency of the channel carrying data and subsequently instructs the processing circuitry 1017 to begin descrambling of this data.

5 Upon selection of a book, the microprocessor 1013 stores any selection information in local memory (not shown) for later data transmission back to the cable headend. The set top terminal's  
10 microprocessor 1013 coordinates all CATV signal reception and also interacts with various upstream data transmission components. Typically, the data transmitter 1011 operates in the return frequency band between 5 and 30 MHz. In an alternative embodiment, the frequency band of 10 to 15 MHz may be used. Regardless, however, of the frequency band used, the data transmitter 1011 sends information to the cable headend in the information field of the response frame described. Those skilled in the art will recognize that a number of variations and combinations of the above-described set top terminal hardware components may be used  
15 to accomplish upstream data transmissions.

#### **VI. Books-On-Demand System**

The electronic book system 200 described may also be configured in a book-on-demand style. Figure 18a shows one example of a configuration for a book-on-demand system. A book on demand system  
20 requires more powerful two-way communications between the consumer's home, bookstore, school or public library and either the operations center 250 or a distribution site 1020 such as the cable headend. This type of two-way communication can be provided by the hardware shown in Figure 17 and described above.

25 Referring to Figure 18a, in a book-on-demand system, the subscriber selects the book to be download from an available menu of books (see for example Figures 14d and 14e). The data for menus of available books is usually sent to the subscriber location by the distribution site 1020. After the subscriber's menu selection,  
30 information about the subscriber selection (or request) is then communicated to either a distribution point 1020 (such as a cable headend) or the operations center 250. Upon receipt of this request, the needed textual and graphical information for the book is spooled and sent to the subscriber. In this manner, books are only sent when requested by

the subscriber and are sent immediately upon demand for the book (or text).

5 In order to support such a demand system, the text delivery and distribution must be conducted on a strong nodal architected distribution system, such as, a video-on-demand cable or telephone television system, or through use of individual telephone calls on the public telephone system.

10 The book-on-demand system allows for a greater selection of books to the subscriber and limits the amount of communicated book data that is unnecessary or unneeded. It also provides the book to the subscriber in a much timelier fashion.

15 In addition to a stronger distribution system, a book-on-demand system requires a distribution point 1020 to have more sophisticated equipment to access and "spool out" the textual information. This can be accomplished using file server technology 1024 for storing the books and ATM 1028 or telephone-type switching (not shown) to distribute the textual information. The file server 1024 and distribution technology that can be used in configuring such a book-on-demand system is described in U.S. Patent No. 5,262,875 and U.S. Patent 5,218,695, cited above.

20 Figure 18a shows an embodiment for a book-on-demand system that utilizes file server technology. In addition to books, the embodiment of Figure 18a will support distribution of nearly any digital data. Books or textual files are received from publishers 282 and other sources through local feeds 1032, ATM 1028, or by satellite dish 1036. The data is then stored in memory 1040 at the file server 1024. Preferably, the distribution point 1020 is a cable headend that receives requests from subscribers and delivers text to subscribers over a two-way communication system (such as a video-on-demand system (VOD) 1044).

30 The library unit 262 can be connected to either a basic premium-type service cable system 1048, a near video-on-demand type cable system (or pay-per-view (PPV) 1052) or a video-on-demand cable system 1044. In connecting with either of these three systems the library 262

may access the cable directly or may access the system through a set top terminal 601', 601", or 601'''.

Using the two-way video-on-demand system 1044, a subscriber is able to request a specific book title and receive that text immediately following its request. To accomplish this, the distribution point 1020 transmits a list of available books through the cable delivery system to the library 262. The library 262 displays the list of available books on a menu or similar format. As described earlier, it is preferred that the library 262 use menus which list categories of available books to form its request from the distribution point 1020. After selecting a book the library 262 then sends a request signal on the two-way communication system 1044 back to the distribution point 1020. This request signal can be handled in two ways. The library 262 either initiates the request or the distribution point 1020 polls the various libraries on to the two-way system 1044. Upon receiving the request for the book title, the text associated with that book title is transmitted to the library 262 using the two-way cable system 1044.

Figure 18b is an expanded view of a preferred operations center 250 that supports a regional or national book-on-demand system. In fact, the operations center 250 shown supports distribution of nearly any digital data. The operations center 250 supports multiple feeds to receive digital information by tape 1060, 1060', ATM 1028, or satellite 1036. The information is processed through an input MUX 1064 and a small file server 1068 before reaching the master file server 1072. Digital data such as books received from publishers 282 is then stored on the master file server 1072. It is preferred that the digital data is stored compressed in a standard format such as MPEG2.

A system controller 1076 provides control over the regional or national book-on-demand system. Books may be packaged into groups to provide feeds to various cable headends. In addition, scheduling and marketing research are conducted at the operations center 250. In order to handle the scheduling and market research, book buy data is received at the operations center 250 through a multiplexer 1082. Book

buy information can be provided by the operation center 250 to the billing and collection subsystem 278.

5 The operations center 250 is also equipped to insert messages or advertisements into the file server. These messages or advertisements will eventually be received by the subscribers.

10 The master file server 1072 uses an output multiplexer 1080 and ATM 1028 as well as satellite connections to distribute digital data. In the preferred embodiment, cable headends receive text data on books from the master file server 1080 through the output multiplexer 1028 and an ATM system 1028. After receiving the digital book data, the cable headends store the books in a local file server 1024. Figure 18a's distribution point 1020 is an example of a cable headend which may receive data from the operations center 250 of Figure 18b through an ATM hookup 1088 or satellite hookup.

15



**CLAIMS**

What is claimed is:

1. A system for transmitting, receiving, and selecting text by title wherein textual data is transmitted in a video formatted composite signal,  
5 the system comprising:
  - means for producing the composite signal from textual data, the composite signal being formatted as a video signal containing the textual data;
  - 10 means, connected to the producing means, for transmitting the composite signal;
  - a means for receiving the composite signal; and
  - a means, connected to the receiving means, for selecting a portion of the textual data, comprising:
    - 15 means for receiving a subscriber entry indicating a title, wherein the title correlates to a portion of textual data.
2. The system of claim 1 wherein the selecting means further comprises:
  - 20 means for extracting all of the textual data from the composite signal; and
  - means, connected to the extracting means, for choosing a portion of the extracted textual data.
3. The system of claim 1 wherein the selecting means further  
25 comprises:
  - means for choosing a portion of the textual data transmitted with the composite signal; and
  - means, connected to the choosing means, for extracting only the chosen portion of textual data from the composite signal.
- 30 4. The system of claim 1 wherein the textual data is organized into packets of data and the means for selecting further comprises:
  - means for extracting packets of data from the composite signal; and

means, connected to the extracting means, for choosing packets of data.

5. The system of claim 1 further comprising:  
5 means, connected to the selecting means, for displaying the selected portion of textual data.
6. The system of claim 5 wherein the means for displaying comprises a means for generating text from the selected portion of the textual data,  
10 wherein at least one line of generated text may be displayed.
7. The system of claim 5 wherein the means for selecting comprises a set top terminal with a memory for storage of the selected textual data, and the means for displaying comprises a television.  
15
8. The system of claim 6 wherein the selected portion of text comprises multiple pages of text associated with one title, and wherein the means for displaying comprises a portable, hand-held viewer with controls, the controls comprising:  
20 a bookmark control for electronically marking a page of text;  
and  
a page turn control for turning a page of text.
9. The system of claim 1 wherein the means for producing the  
25 composite signal comprises an encoder, wherein the encoder encodes textual data into a video format signal.
10. The system of claim 1 wherein the means for producing the  
30 composite signal comprises an operations center for gathering textual data to be included in the composite signal.
11. The system of claim 10 wherein the operations center comprises:  
means for receiving textual data;

means, connected to the receiving means, for compressing the textual data; and

means, connected to the compressing means, for encrypting the compressed textual data.

5

12. The system of claim 10 wherein:

the operations center comprises means for creating menu text data relating to the textual data wherein the textual data includes the menu text data and whereby the composite signal further contains menu text data; and

10

the selecting means further comprises means for generating menus using the menu text data created by the operations center.

13. The system of claim 12 wherein the means for generating menus comprises a menu graphics generator.

15

14. The system of claim 12 wherein the means for generating menus comprises a means for sequencing the generated menus.

15. The system of claim 12 wherein the means for generating menus comprises:

20

means for extracting textual data to be used in generating menus, wherein associated textual data for titles are extracted from the textual data; and

25

means, connected to the extracting means, for generating text from the extracted textual data, wherein textual data for titles is used to generate titles.

16. The system of claim 1 wherein the means for transmitting comprises a broadcast television transmitter.

30

17. The system of claim 1 wherein the text data is sent without any video and fills an entire channel of video data in the composite signal and

wherein the means for transmitting comprises a cable television transmitter.

18. The system of claim 17 wherein the receiving means further comprises a cable connector and the cable connector comprises a means  
5 for extracting textual data from the video formatted composite signal.

19. The system of claim 1 wherein the means for producing the composite signal places the textual data into the vertical blanking interval of the video signal and wherein the selecting means comprises a vertical  
10 blanking interval extractor to select a portion of the textual data.

20. The system of claim 1 further comprising a modem, connected to the selecting means, for enabling bidirectional telephone communication between the selection means and remote locations.  
15

21. The system of claim 20 further comprising a billing system located remotely from the selecting means, wherein the modem communicates with the billing system.

22. The system of claim 1 wherein the transmission medium is a bidirectional cable system and wherein the selecting means comprises a means for transmitting information over the bidirectional cable system.  
20

23. The system of claim 22 further comprising a billing system connected to the bidirectional cable system and wherein the selecting means transmits information about the selected portion of textual data over the bidirectional cable system.  
25

24. The system of claim 1 further comprising a means, connected to the means for producing a composite signal, for providing graphical data;  
30 wherein the composite signal includes the graphical data.

25. A method for distributing text material in text data form using a video signal and a transmission medium comprising the steps of:

coding text data representing text material onto a video signal;

transmitting the video signal over a transmission medium;

receiving the video signal from the transmission medium; and

5 selecting text coded onto the video signal comprising the steps of:

receiving a subscriber entry relating to text material;

and

10 correlating the subscriber entry to a portion of the text coded onto the video signal.

26. The method of claim 25 further comprising the step of extracting the text data wherein the step of extracting occurs before the step of selecting.

15

27. The method of claim 25 wherein the text data is in a data packet format, the step of selecting further comprising means for extracting data packets from the video signal and choosing data packets.

20 28. The method of claim 25 wherein the text material is organized by title, the method further comprising:

storing selected text by title, wherein the stored text associated with a title may be retrieved a page at a time;

retrieving one page of stored text associated with a title;

25 decrypting one page of the retrieved text associated with a title; and

displaying one page of the decrypted text associated with a title.

30 29. The method of claim 25 further comprising the step of creating menu text data for coding onto the video signal by the coding step and wherein the selecting step comprises generating menus from the menu text data wherein subscriber entries are received in response to generated menus.

30. A system for transmitting, receiving, and selecting text wherein the text is placed on a video formatted composite signal produced from a textual signal containing textual data, a menu signal containing menu data  
5 related to categories of the textual data, and from a video signal containing video data, the composite signal transmitted to a receiver for menu generation and text selection, comprising:

means for producing a composite signal from the textual signal, the menu signal and the video signal, the composite signal formatted as a video signal and containing the video data, the menu data and the textual data;  
10

means, connected to the producing means, for transmitting the composite signal over a first transmission medium;

means for receiving the composite signal from the transmission medium;  
15

means, connected to the receiving means, for displaying menu options regarding categories of text data;

means, connected to the displaying means, for choosing a displayed menu option;

an authorization means, in communication with the choosing means and receiving means, for granting authorization to receive the chosen category of text data;  
20

a communication means, connected to the choosing means and receiving means, for communication with the authorization means;  
25

a memory means, connected to the receiving means, for storing textual data; and

a selection means, connected to communication means, memory means, and receiving means, to direct the selecting, receiving, and storing of the chosen category of text data.  
30

31. The system of claim 30, wherein the authorization means and communication means each comprise a modem for telephonic communication.

32. The system of claim 31, wherein the authorization means and communication means both comprise a multiplexer and demultiplexer for wired digital communication.

5

33. The system of claim 30, wherein the selecting means further comprises means for compiling watched data on the selected text data read by a subscriber and the communication means further comprises means for transferring the watched data to the authorization means.

10

34. An operations center for a text delivery system wherein text is delivered to subscribers for viewing, and wherein the operations center receives multiple text data signals comprising:

a data receiver for receiving multiple text data signals;

15

a formatter, connected to the data receiver, for formatting the text data;

a security means, connected to the formatter, for encrypting the formatted data; and

20

an uplink, connected to the security means, for placing the encrypted data onto a video signal.

35. The operations center of claim 34 further comprising:

a processor, connected to the formatter and data receiver, for controlling the processing of the received data; and

25

an instruction memory, connected to the processor, for supplying instructions to the processor.

36. The operations center of claim 35 further comprising:

30

a message memory, connected to the processor, for holding messages; and

a text generator, connected to the processor, for generating text data to be delivered to the subscriber, wherein the subscriber receives a message.

37. The operations center of claim 34 wherein the uplink comprises an encoder for encoding encrypted data onto a video signal.
38. The operations center of claim 34 further comprising a billing and collection system for handling subscriber transactions.
39. The operations center of claim 34 further comprising:  
a combining means, connected to the security means, for combining additional text data with the received text data prior to the encrypted data being uplinked.
40. A method for operating a center for delivering text by title to subscribers comprising:  
receiving text data to be sent to subscribers, wherein the received text data is organized by title;  
creating text data for titles;  
formatting the received text data and the created text data, wherein the text data is formatted by title;  
encrypting the formatted data; and  
placing the encrypted data onto a video signal.
41. A system for receiving, selecting and viewing text wherein the text is distributed as text data via a video transmission medium, comprising:  
a connector for connecting to a video transmission medium and receiving text data;  
a library unit connected to the connector for processing the text data comprising:  
digital logic for screening the text data; and  
memory for storing the text data; and  
a viewer, electronically communicating with the library unit, for displaying the text data as text.
42. The system of claim 41 wherein the library unit further comprises:



a means for selecting a portion of the text data which is received by the connector.

5 43. The system of claim 42 wherein portions of text data are selected by title, the means for selecting comprises:

a means for generating menus displaying titles of portions of text data.

10 44. The system of claim 41 wherein the memory comprises:

a memory port; and

a removable and portable memory unit connected to the memory port for storing text data.

15 45. The system of claim 41 wherein the viewer comprises:

a memory for storing text data received from the library;

a microprocessor, connected to the memory, for controlling the functions of the viewer;

digital display circuitry, connected to the microprocessor for creating displays; and

20 a liquid crystal display, connected to the digital display circuitry, for displaying text.

46. The system of claim 45 wherein the digital display circuitry further comprises:

25 a graphics controller for generating graphics to display on the liquid crystal display.

30 47. The system of claim 45 wherein text data is encrypted and the viewer further comprises a security module, connected to the microprocessor for decrypting text data.

48. The system of claim 45 wherein the memory for storing text data comprises a removable electronic card memory.

49. A method for receiving and selecting encrypted text data representing text from a video transmission medium for viewing the text comprising:

- connecting to a video transmission medium;
- 5 receiving encrypted text data from the video transmission medium;
- screening the received text data;
- storing the screened text data by title wherein the stored text data can be retrieved by title;
- 10 retrieving the stored text data by title wherein a title represents a portion of text data;
- decrypting the retrieved text data; and
- displaying the decrypted text data as text.

15 50. A method for receiving selected text upon demand at a viewing location wherein text is associated with an available book title and a text source stores the text, comprising:

- creating a list of available titles wherein a title is available if the text associated with the title is available for transmission;
- 20 transmitting the list of available titles;
- selecting a title from the transmitted list of titles;
- communicating the selected title to the text source; and
- transmitting the text associated with the selected title from the text source to the viewing location.

25

51. The method of claim 50 wherein the available titles are categorized, and the step of selecting a title comprises:

- generating a menu which lists categories of available titles;
- choosing a category of available books from the generated
- 30 menu; and
- listing books within the chosen category of available books.

52. A system for delivering text upon request wherein the text is delivered as text data, the system comprising:

means for receiving text data;  
a local file server, connected to the receiving means, for storing the received text data;  
a communication system, connected to the file server, for receiving text data requests and for responding to text data requests; and  
a home subsystem, connected to the communication system, for requesting text data and receiving stored text data via the communication system, whereby the text data is received from the local file server after the home subsystem requests the text data.

53. The system of claim 52 further comprising an operation center comprising:

means for gathering text data from publishers;  
a master file server, connected to the gathering means, for storing text data from publishers; and  
a distribution system, connected to the receiving means, for distributing the text data at the master file server to the local file server.

54. The system of claim 52 wherein the home subsystem comprises a viewer and the viewer comprises:

a bookmark button for marking a page of text;  
a current book button for designating the previously requested text data; and  
page turn buttons for turning the pages of text.

55. The system of claim 52 wherein the stored text data is grouped by titles, the home subsystem comprises menu means for receiving subscriber entries and placing the subscriber entries on the communication system, and wherein the system further comprises a means, connected to the communication means, for suggesting received text data for viewing comprising:

means for receiving the subscriber entries from the communication system;

memory means for storing the titles of the received text data and information about the received text data;

5 means, connected to the receiving means and the memory means, for processing the subscriber entries to determine titles of text data to suggest to the viewer comprising:

means for searching the information about the received text data stored in the memory means; and

10 means, connected to the processing means and the communication system, for generating title text data containing a list of titles and placing the title text data on the communication system, whereby the home subsystem receives the list of titles.

15 56. An electronic viewing device for use in a text delivery system which sends text organized by title using electronic signals wherein the viewing device receives pages of text from an external source, comprising:

means for receiving subscriber entries comprising:

20 means for a subscriber to prompt a selection of a portion of text;

a bookmark button for marking a page in a portion of text; and

a next page button for turning a page of text;

25 means for receiving text from an external source through electronic signals;

means, connected to the receiving means, for storing text organized by title wherein the text may be retrieved by title;

30 means, connected to the text storing means and means for receiving subscriber entries, for retrieving one page of stored text by title from the storing means, wherein the page of text is retrieved based upon a subscriber entry;

means for decrypting the retrieved page of text; and

liquid crystal display means for displaying the decrypted page of text.

57. The device of claim 56 wherein titles representing portions of text are received by the device from the external source and selected by a subscriber using the receiving subscriber entries means, the device  
5 further comprising:

means, connected to the means for receiving subscriber entries, for generating menus which include titles representing portions of text; and

10 means, connected to the menu generating means, for determining titles to suggest to a subscriber wherein the generated menus suggest titles to a subscriber for selection.

58. The system of claim 1, wherein the selecting means further comprises:

15 responsive suggesting means for suggesting titles comprising:  
means for determining titles to suggest to the subscriber; and

20 means for creating a menu, wherein the menu lists the determined titles.

59. The system of claim 58, wherein each title has an associated mood indicator, the determining means comprising:

subscriber mood input means for entering the subscriber's mood; and

25 comparison means for comparing the subscriber's entered mood with each title's associated mood indicator to determine the titles to suggest.

60. The system of claim 58, wherein each title has one or more  
30 associated keywords, the determining means comprising:

a subscriber keyword input means for entering subscriber keyword inputs; and

a comparison means for comparing the subscriber's keyword input with each title's associated keywords, wherein the comparison determines the titles to suggest.

- 5 61. The system of claim 60, wherein one of the associated keywords relates to an author of the text and wherein the subscriber keyword input means comprises means for entering an author's name.
- 10 62. The system of claim 1, wherein personal data is received by the receiving means, the selecting means further comprising:  
an intelligent suggesting means for determining titles to suggest to the subscriber using the received personal data and for creating a menu, wherein the menu lists the suggested titles.
- 15 63. The system of claim 62, wherein the personal data comprises historical data relating to past individual subscriber purchases and personal profile data relating to characteristics of individual subscribers, and wherein the suggesting means comprises means for processing historical and personal profile data.
- 20 64. The method of claim 25, wherein the text material includes titles with associated mood indicator information and preview information, wherein the subscriber entry is related to mood indicator information or preview information, wherein the step of receiving the video signal  
25 further comprises the step of:  
storing a portion of the text data relating to the titles, mood indicator information and the preview information;  
and wherein the step of correlating the subscriber entry comprises the steps of:  
30 searching the stored portion of text data for matches between the subscriber entry and the stored mood indicator information or the stored preview information; and  
suggesting titles corresponding with the matches.

65. The method of claim 25, wherein the text material comprises titles and personal information; the step of receiving the video signal further comprising the step of storing a portion of the titles and personal information, and wherein the step of correlating the subscriber entry  
5 comprises the steps of:  
    processing the stored personal information to determine a list of titles; and  
    suggesting the list of titles to the subscriber.
- 10 66. The system of claim 30, wherein the selection means further comprises:  
    responsive suggesting means for determining titles to suggest to the subscriber and creating a menu for listing the suggested titles.
- 15 67. The system of claim 30, wherein personal data is received by the receiving means, the selection means comprising:  
    an intelligent suggesting means comprising:  
        means for determining titles to suggest to the  
20 subscriber using the received personal data; and  
        means for creating a menu for listing the suggested titles.
- 25 68. The system of claim 42, wherein the text data comprises titles with associated mood indicator data and preview data, wherein the memory stores the titles, mood indicator data and preview data, wherein the selecting means indicates mood indicators or preview data, and wherein the library unit further comprises:  
    means for searching the stored portion of text data for  
30 matches between the selected mood indicator or selected preview data and the stored mood indicator or stored preview data; and  
    means for suggesting titles corresponding with the matches.

69. The system of claim 42, wherein the text data comprises titles and personal data, wherein the memory stores the titles and personal data, and wherein the library unit further comprises:

5 means for processing the stored personal data and generating a list of stored titles for suggestion; and

means for providing the list to the selecting means so that the selecting means selects a portion of text data using titles from the list of suggested titles.

10 70. The method of claim 50 wherein the step of selecting comprises the steps of :

determining a list of suggested titles from the transmitted list of titles; and

15 generating a menu of the suggested list of titles, wherein the selected title is chosen from the menu.



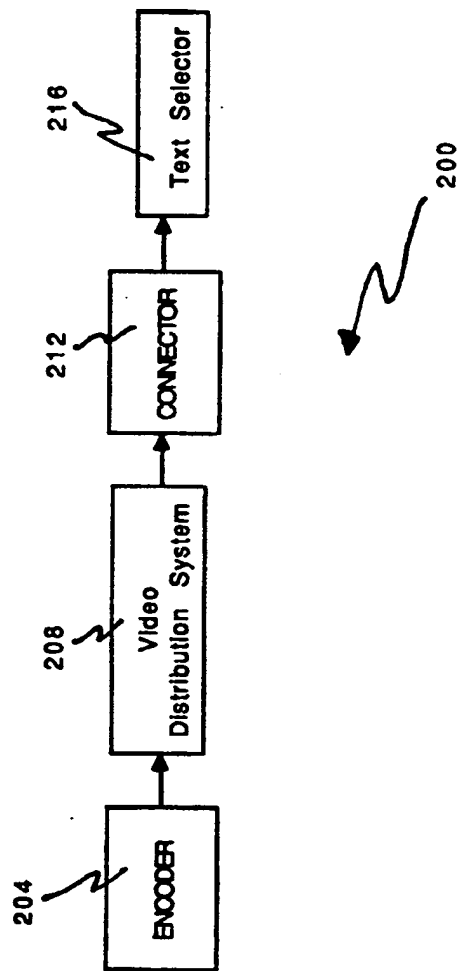


FIG. 1

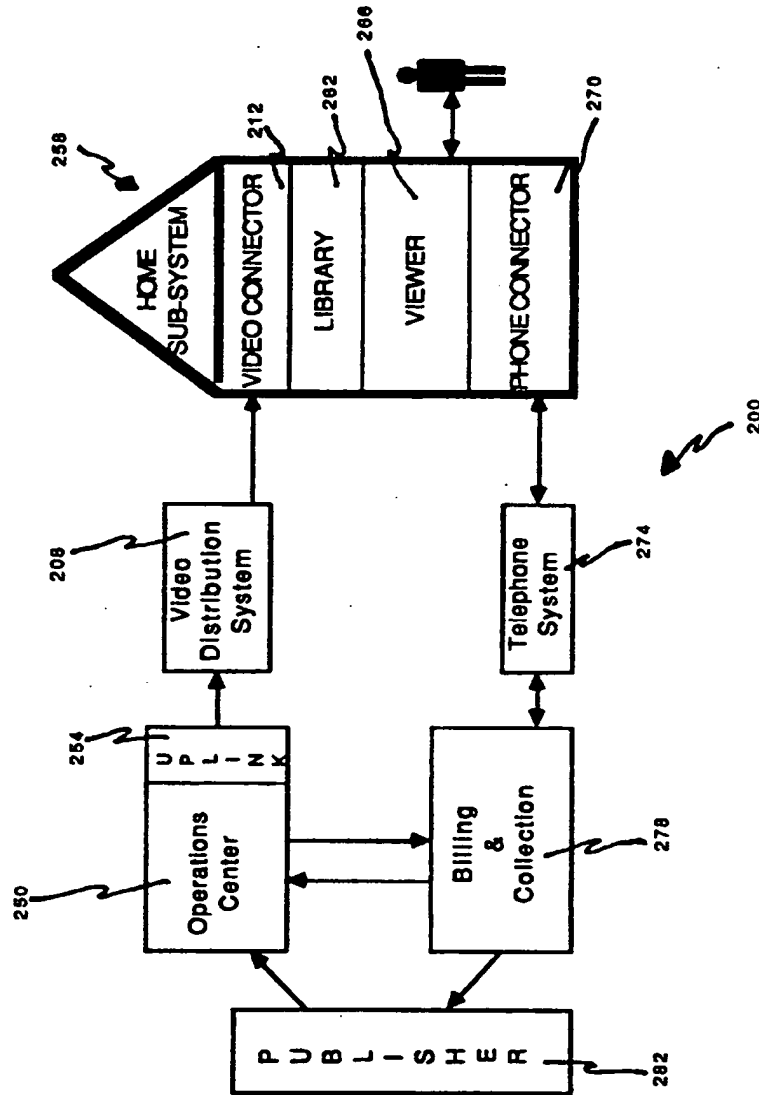
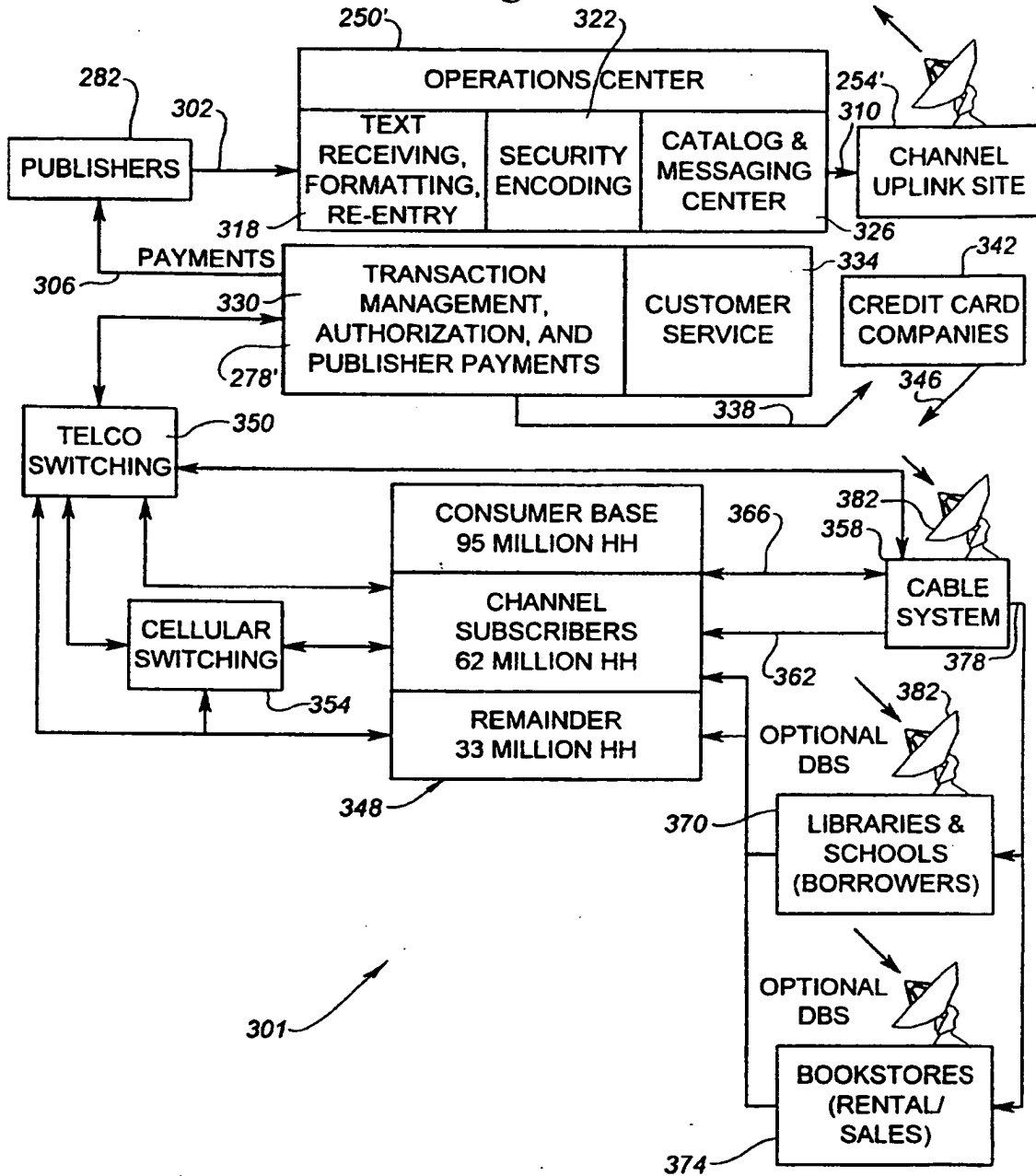


FIG. 2

Fig. 3



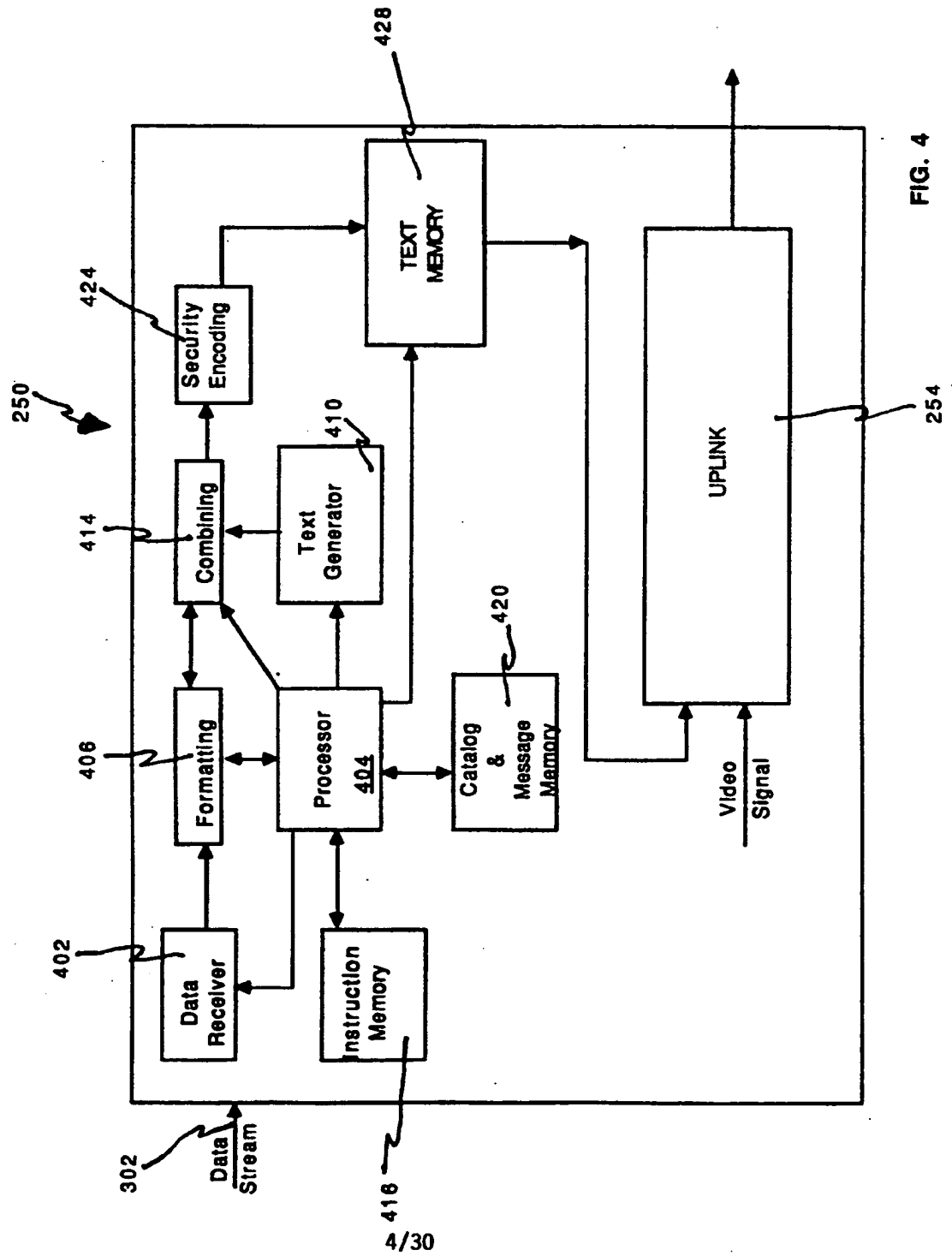


FIG. 4

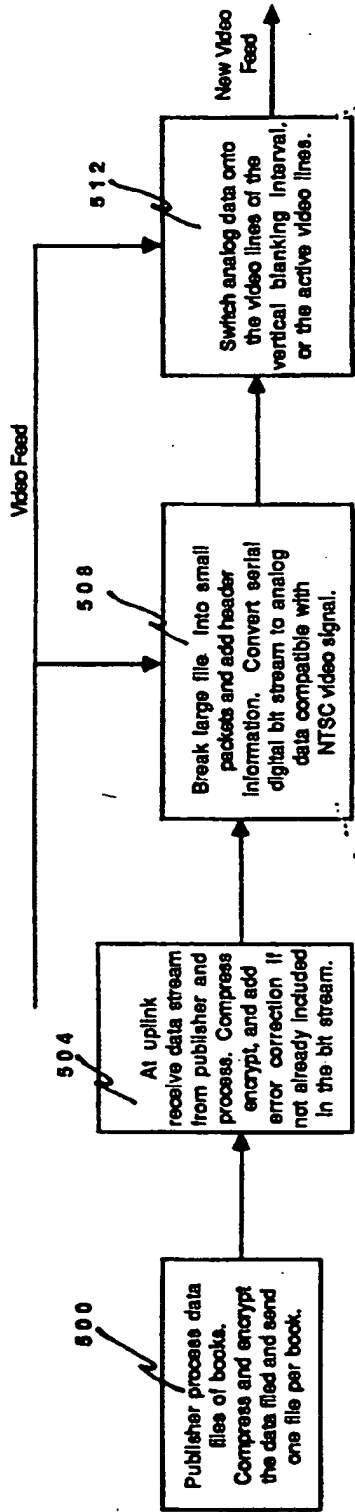


FIG. 5a

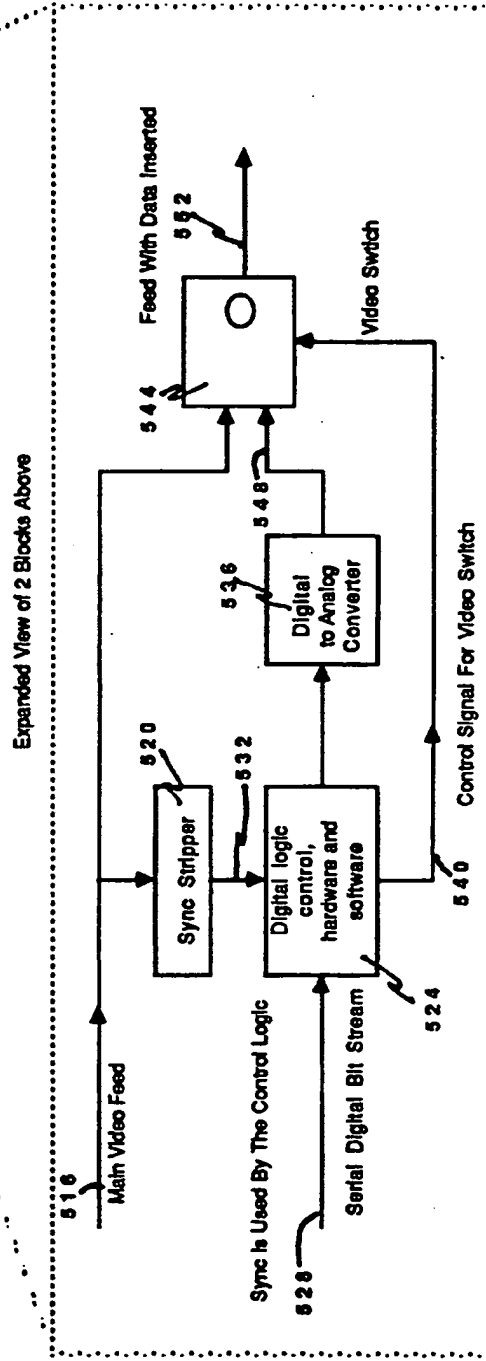


FIG. 5b

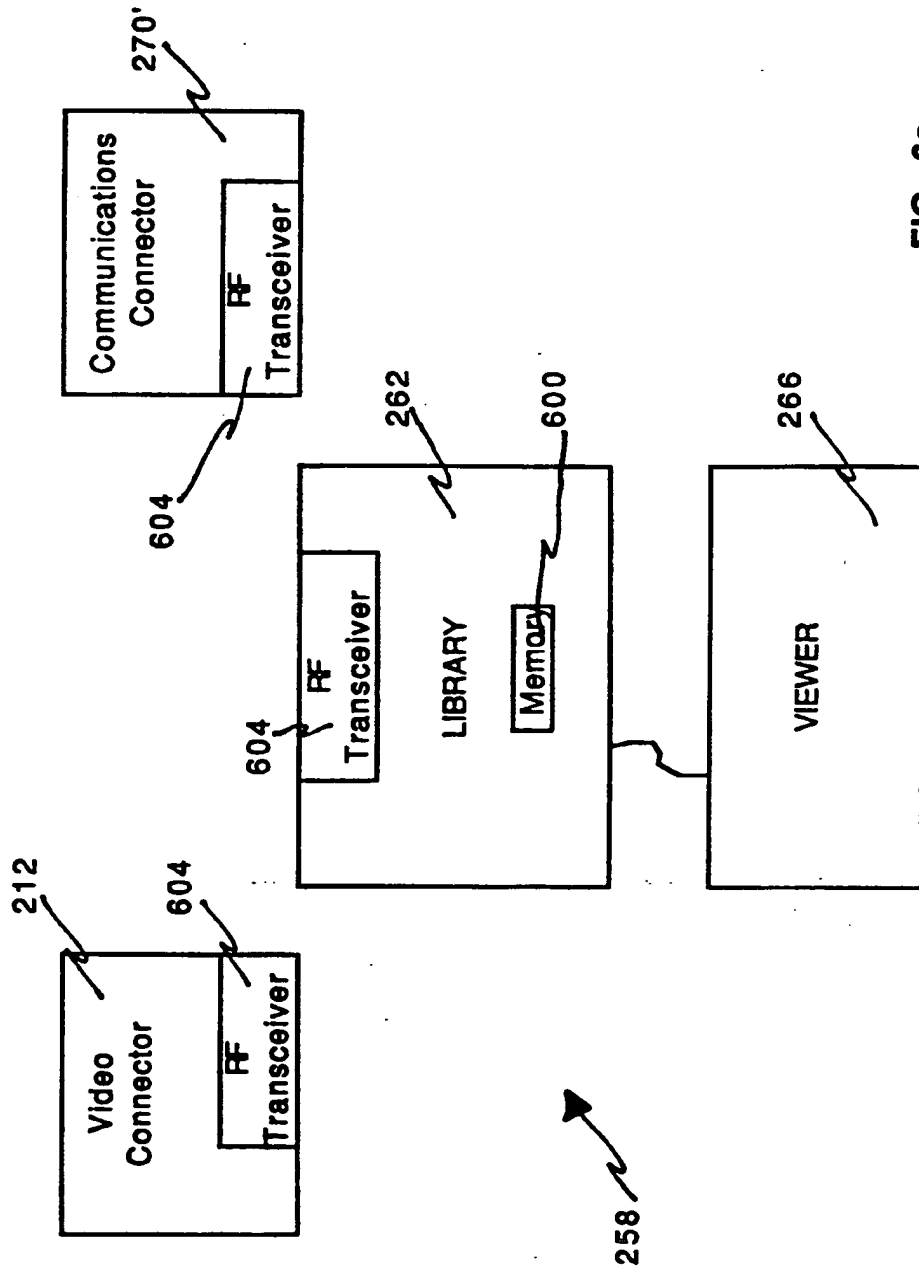


FIG. 6a

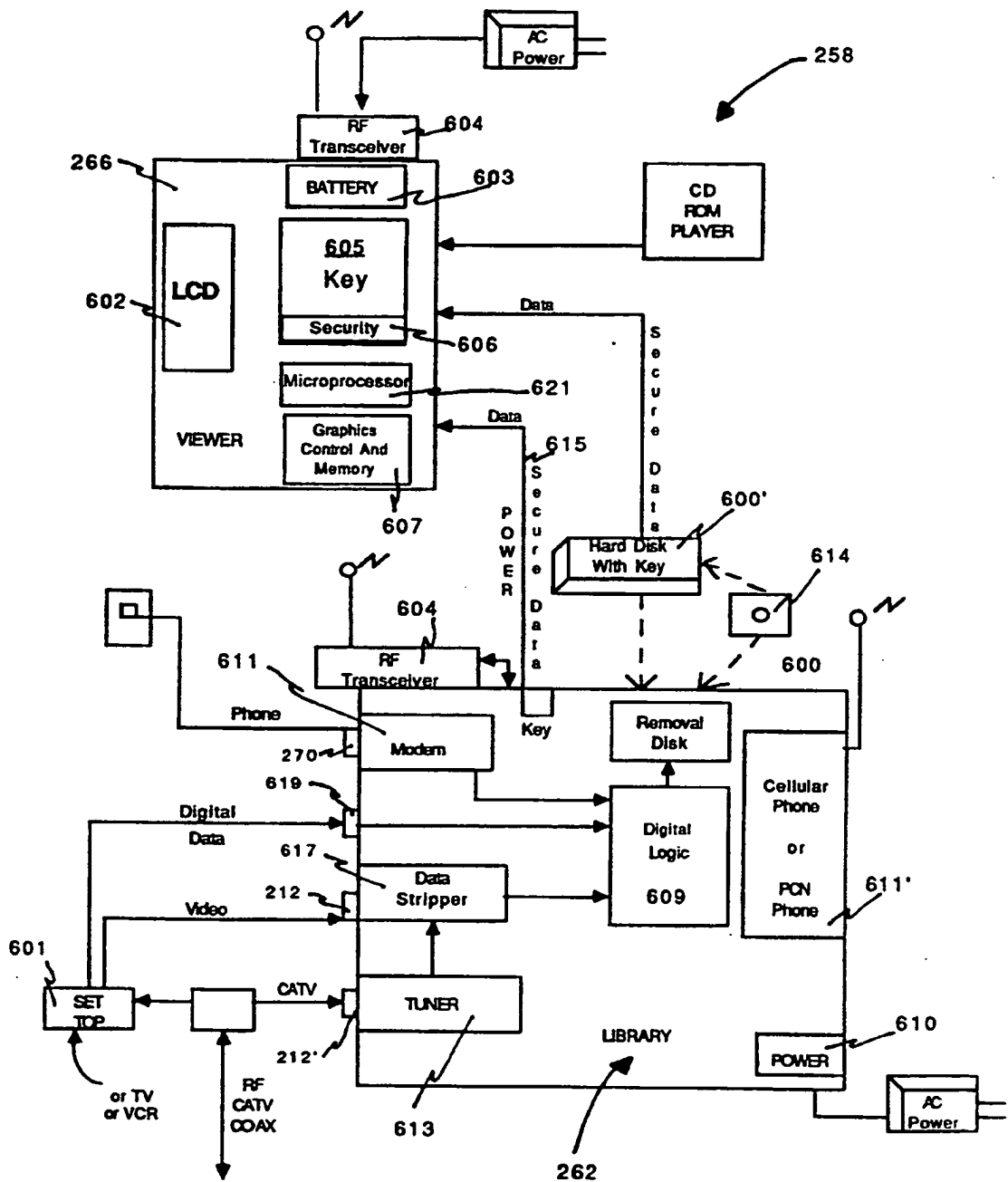


FIG. 6b

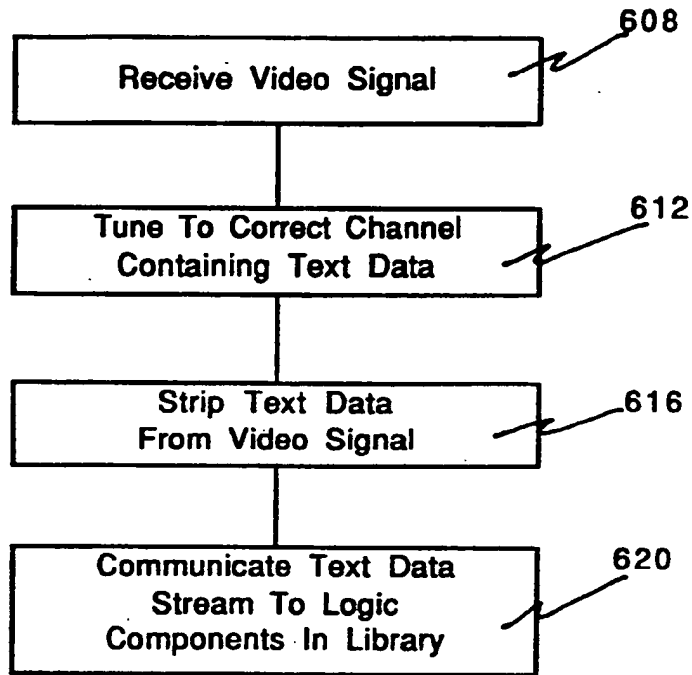


FIG. 7



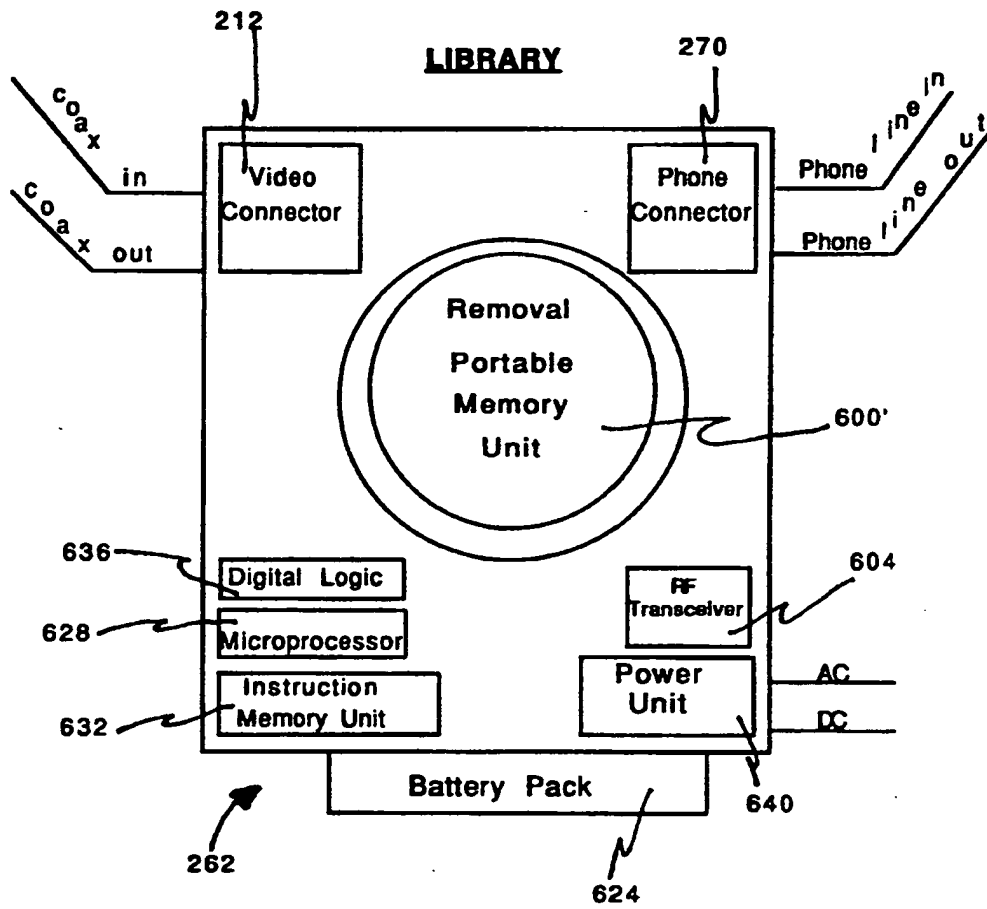


FIG. 8

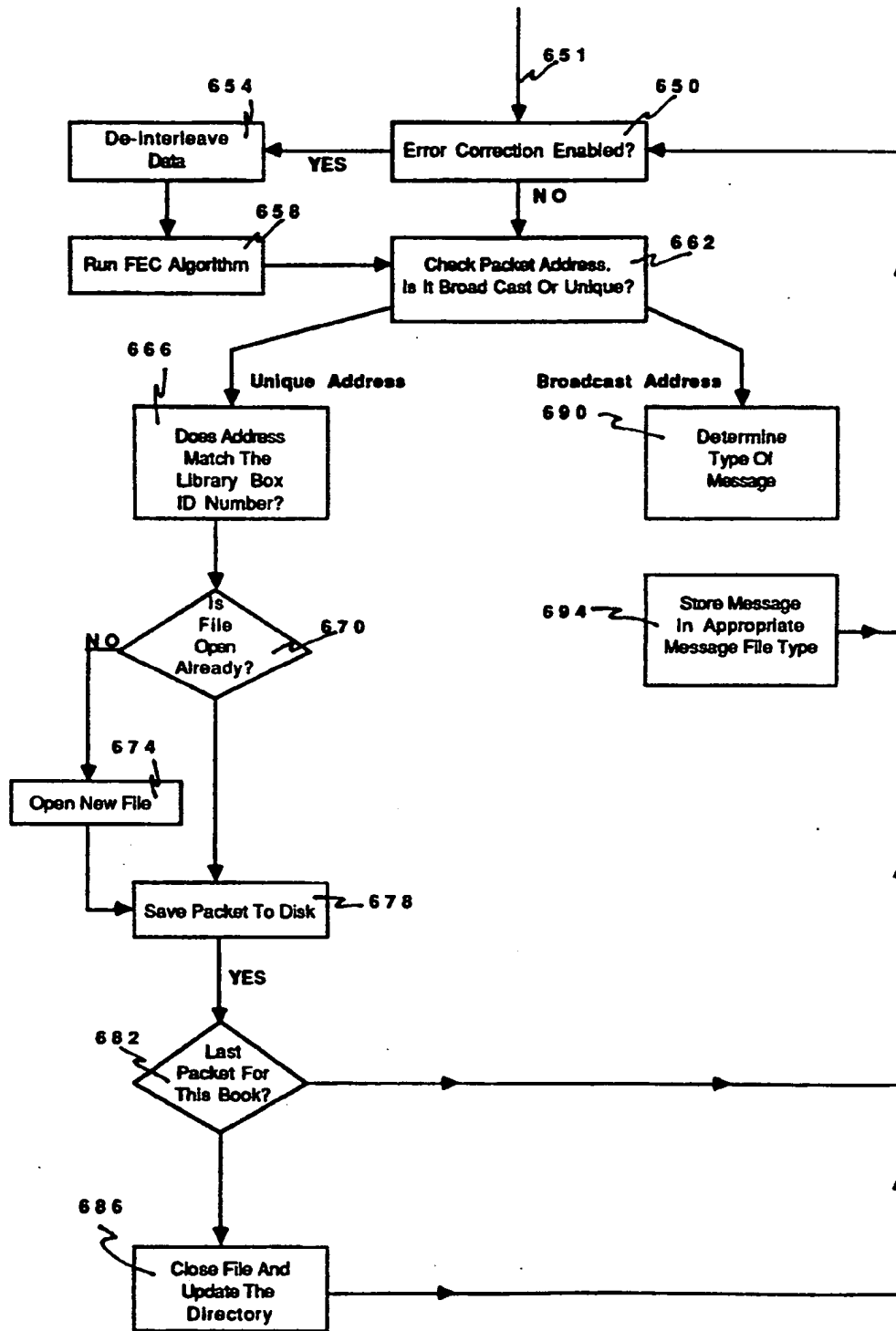


FIG. 9

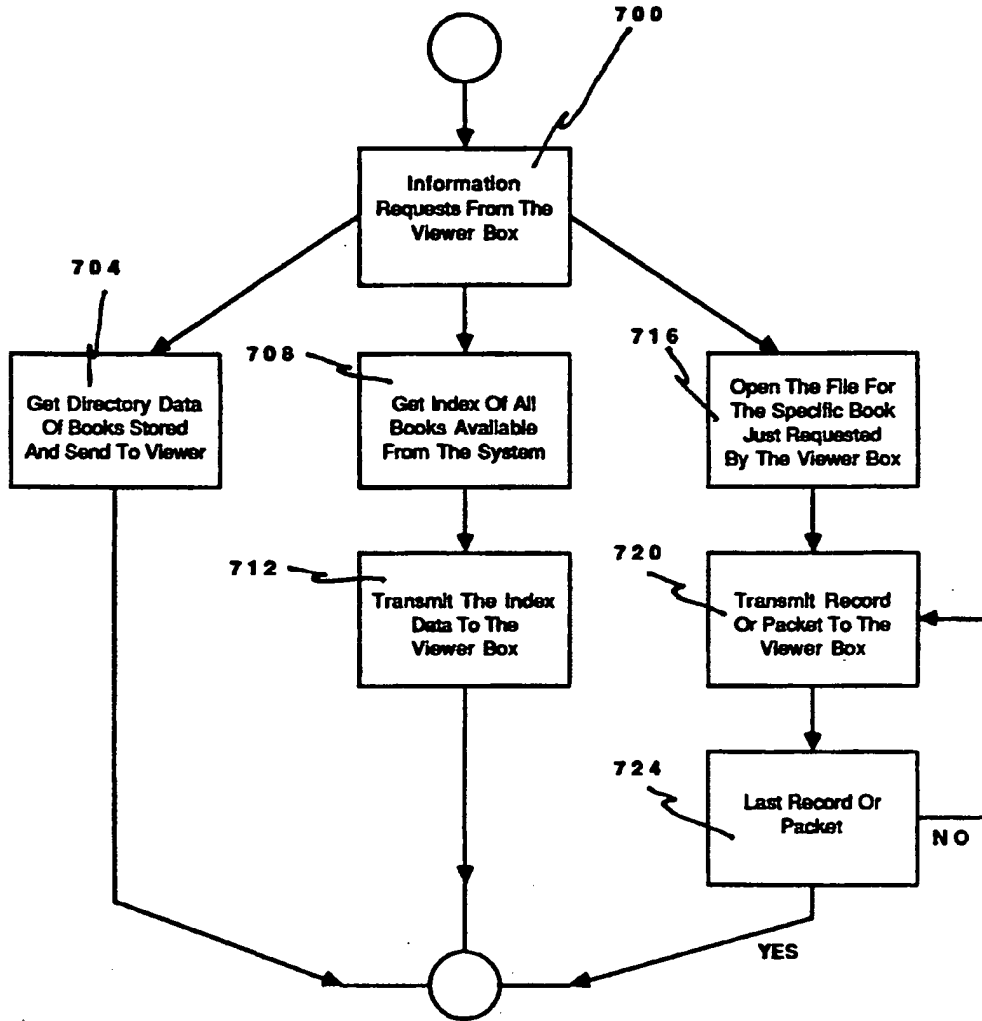


FIG. 10

12/30

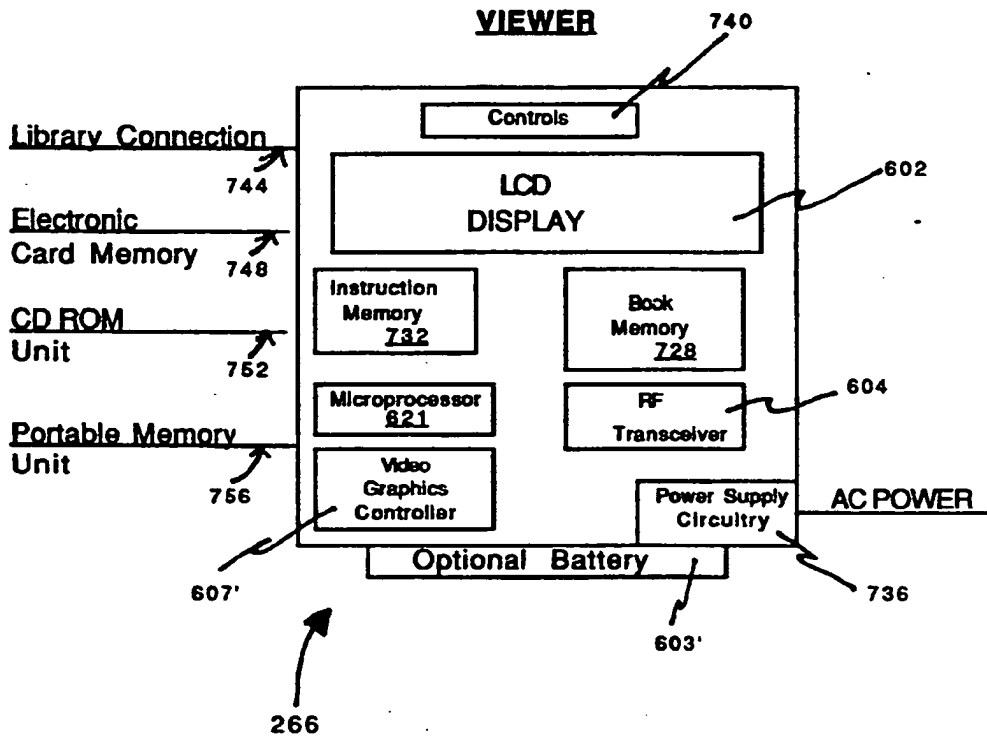
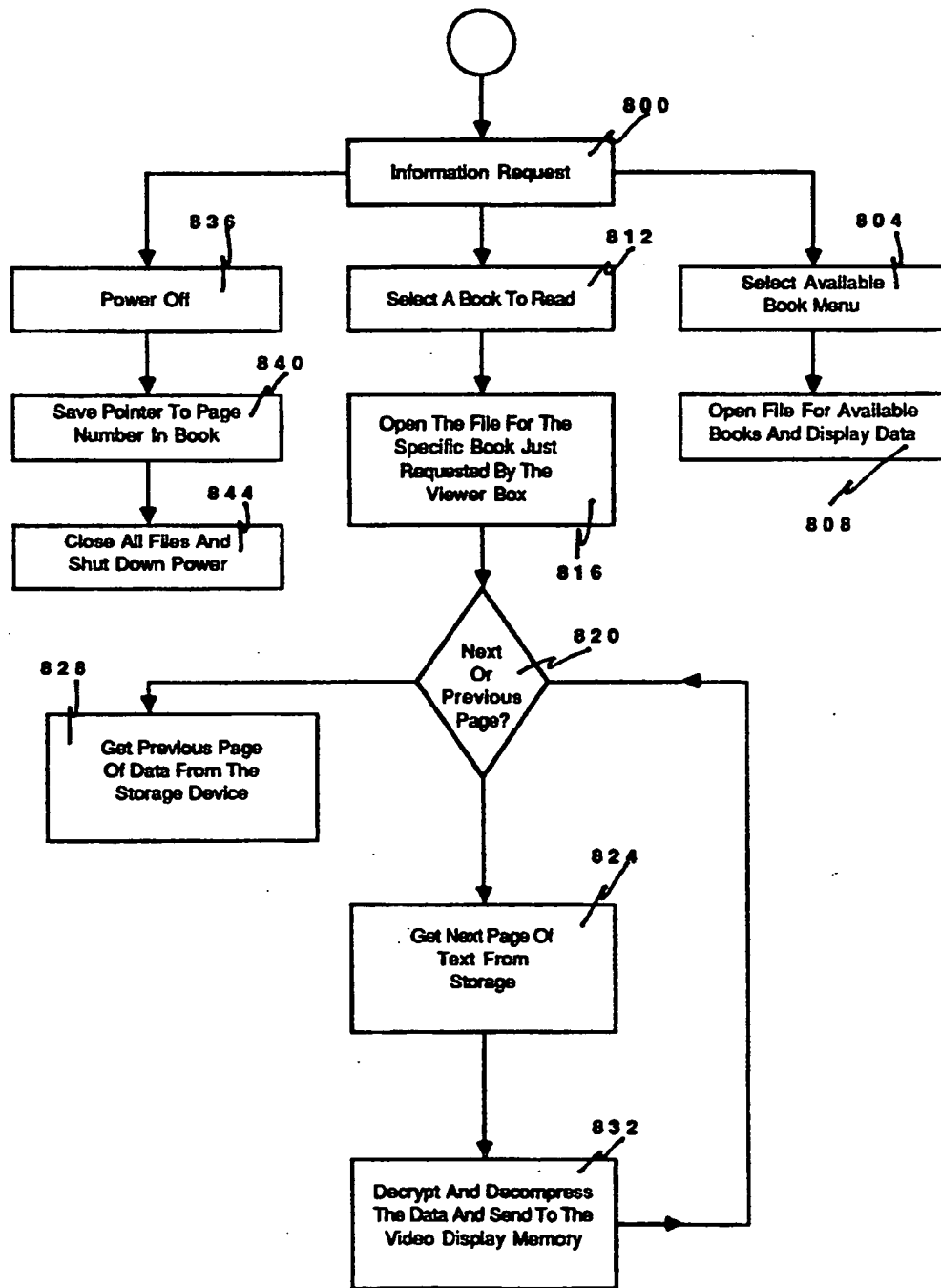


FIG. 11

12/30



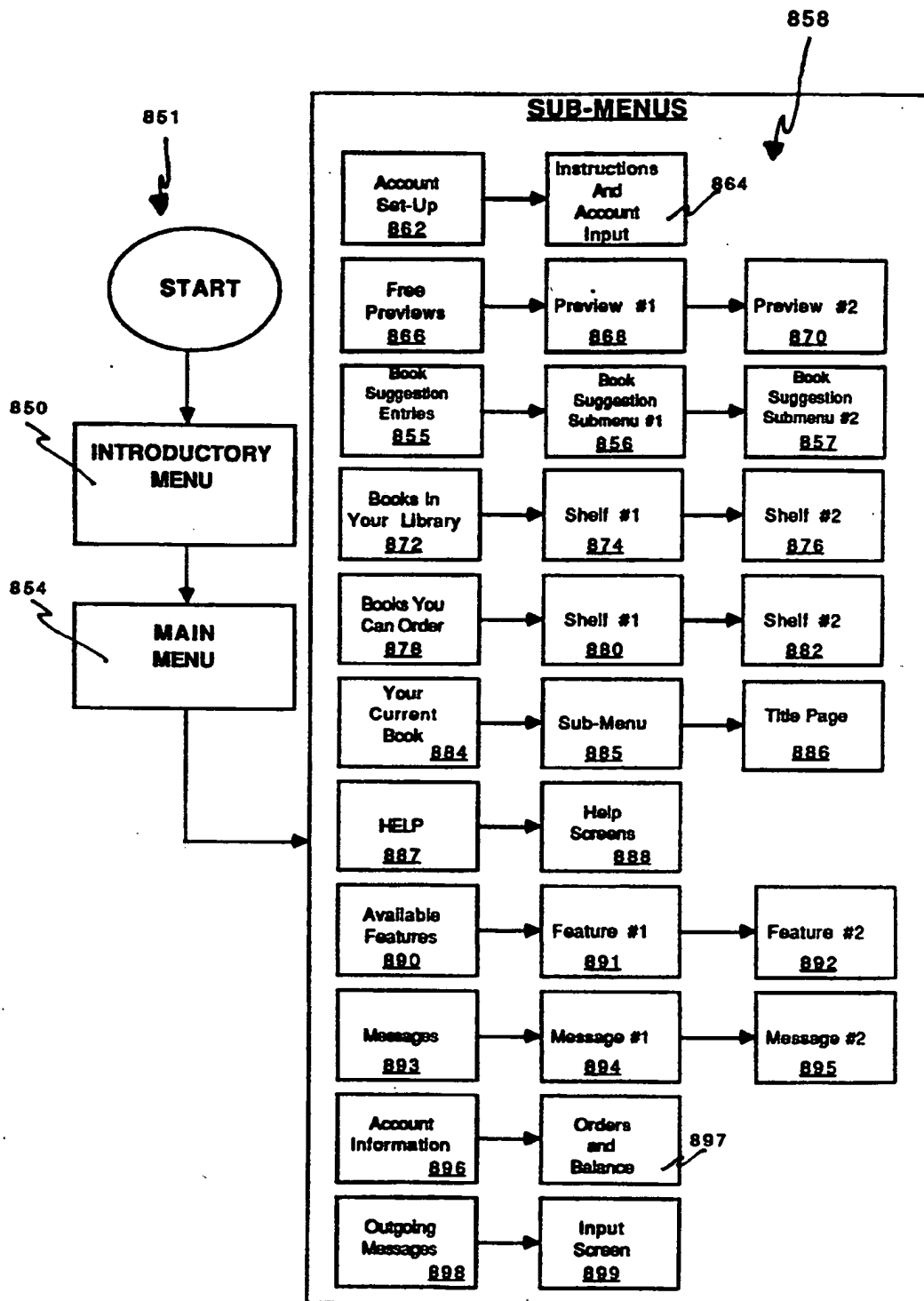


FIG. 13

**Fig. 14a**

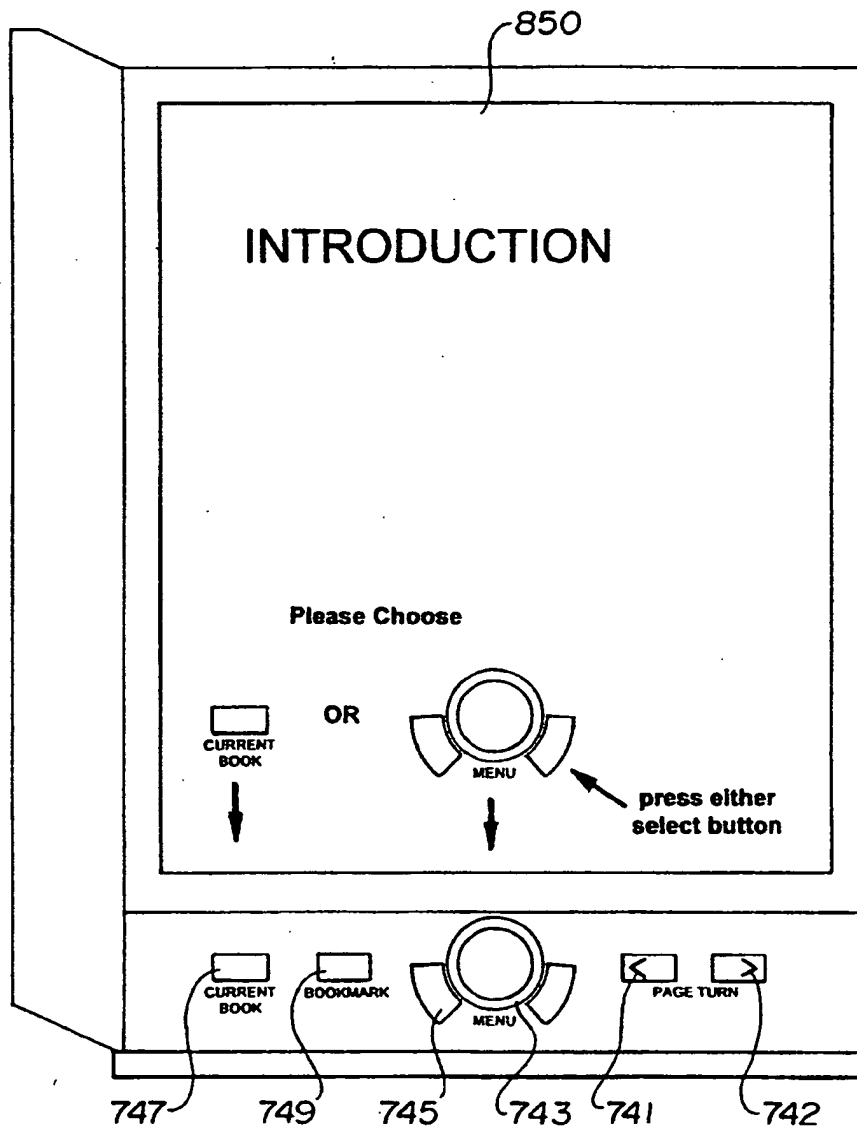


Fig. 14b

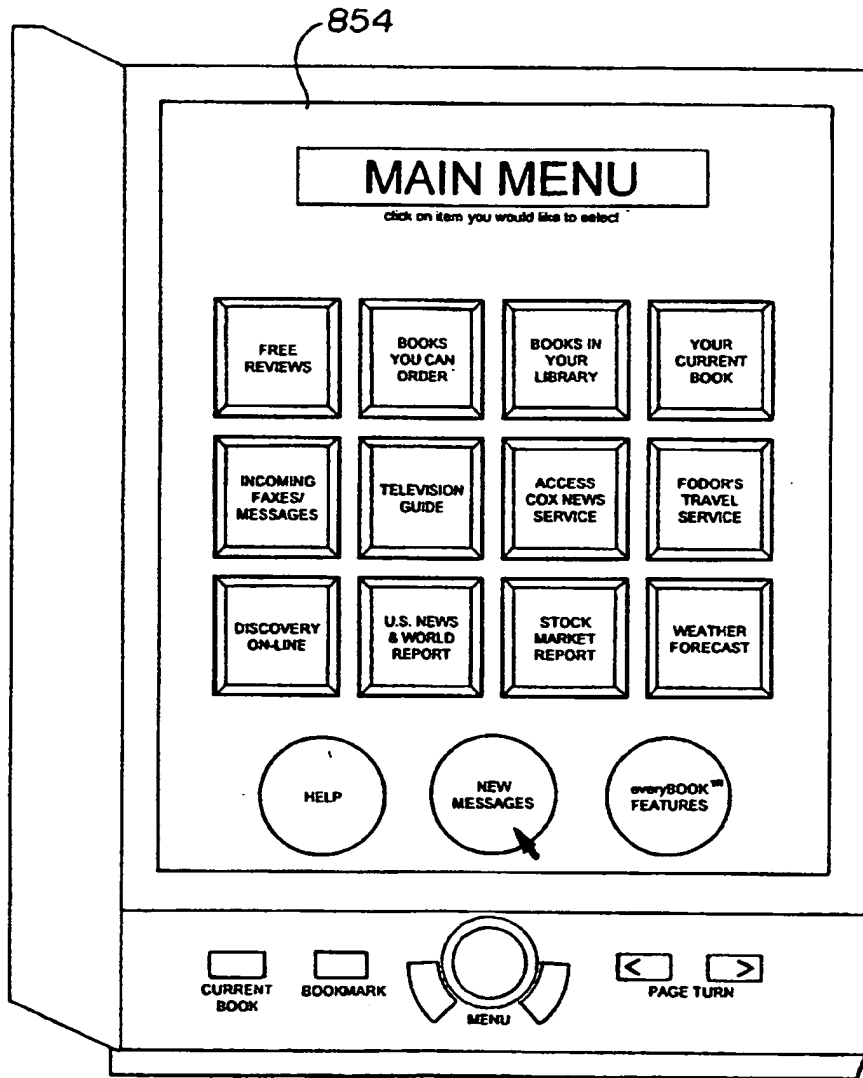
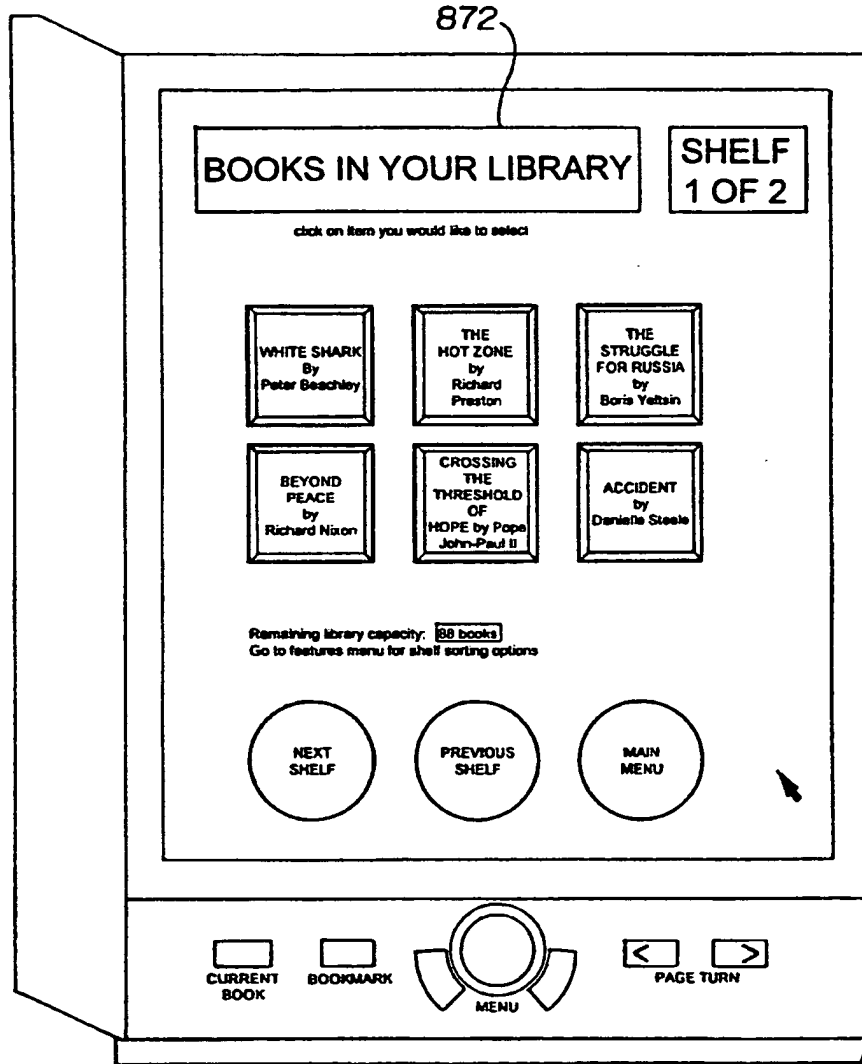




Fig. 14c



*Fig. 14d*

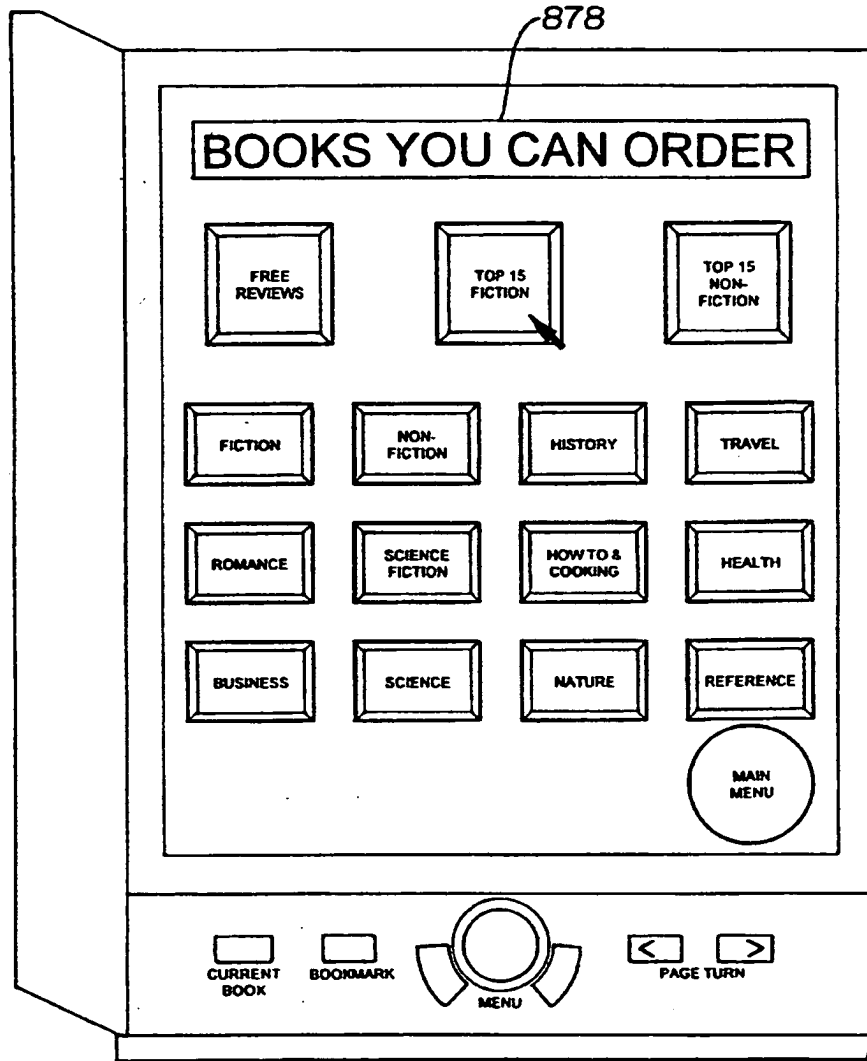
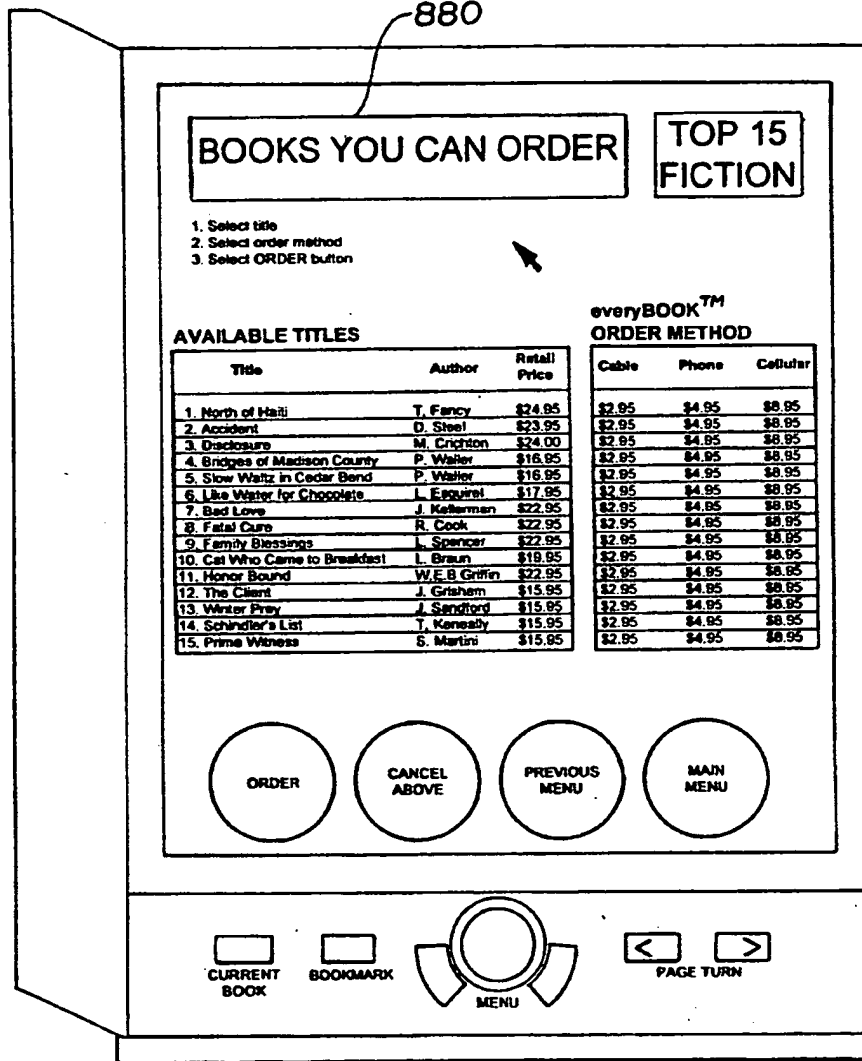
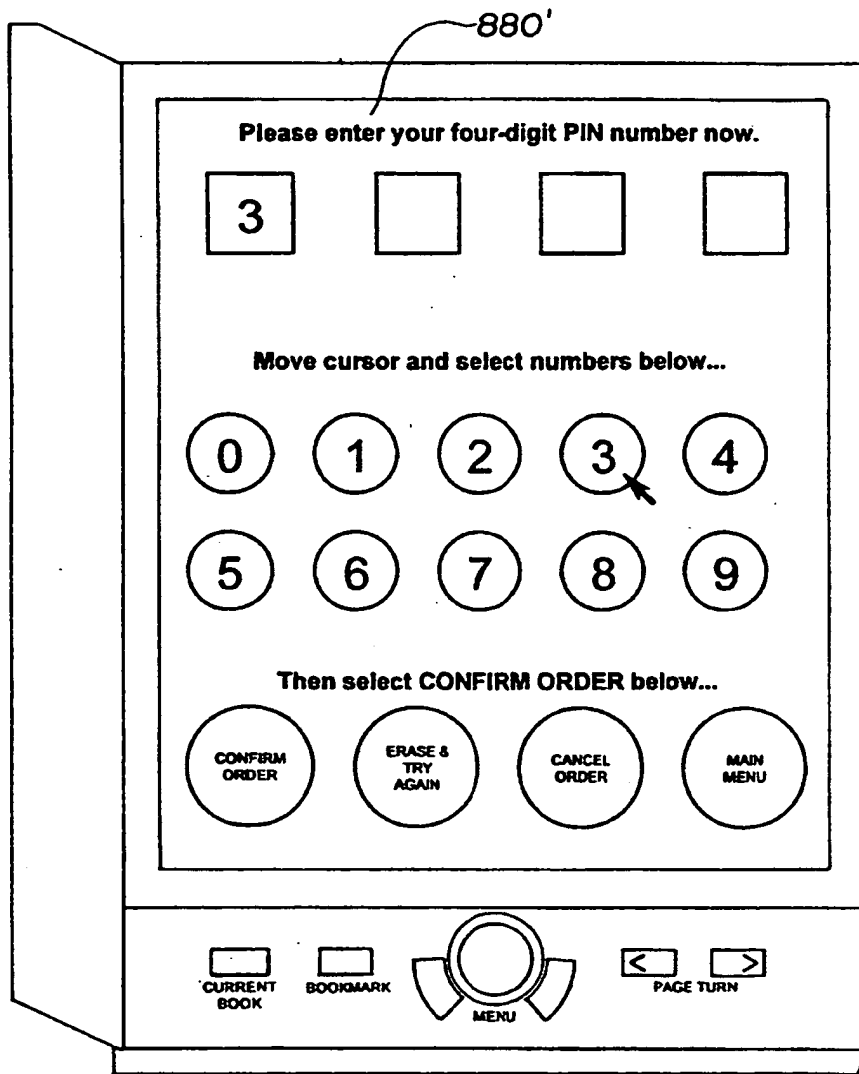


Fig. 14e

880



**Fig. 14f**



*Fig. 14g*

862

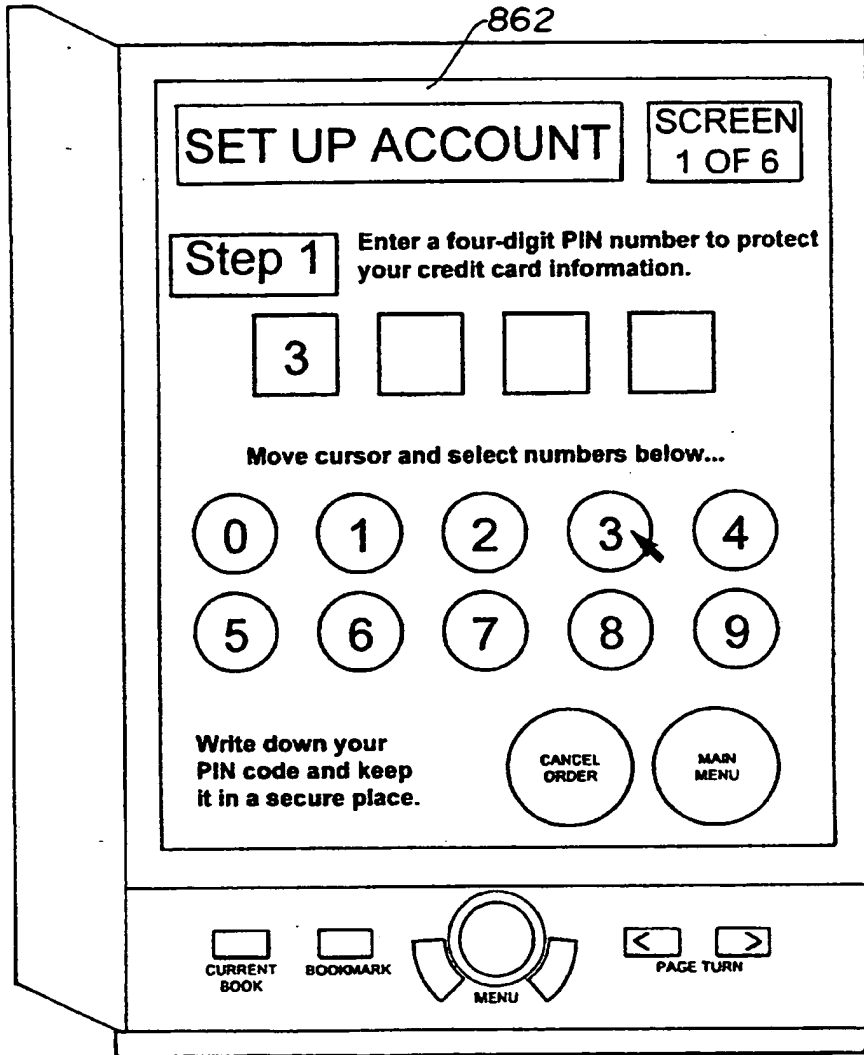


Fig. 14h

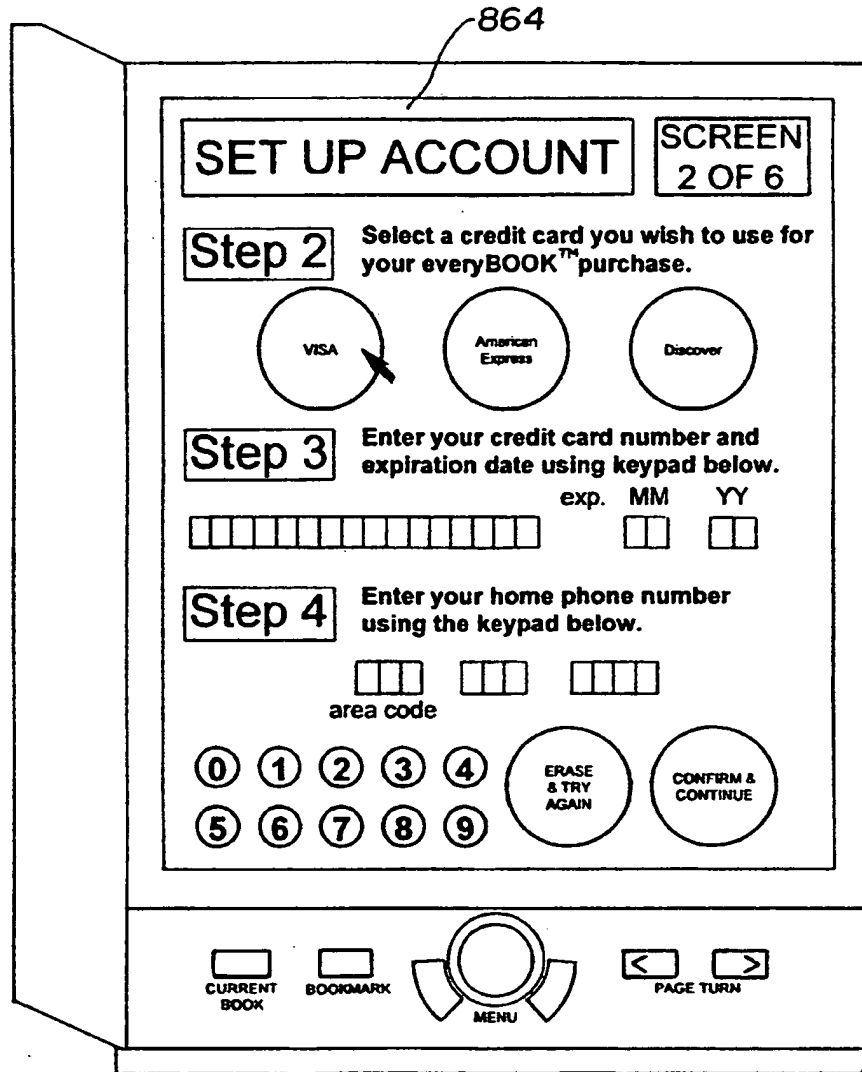
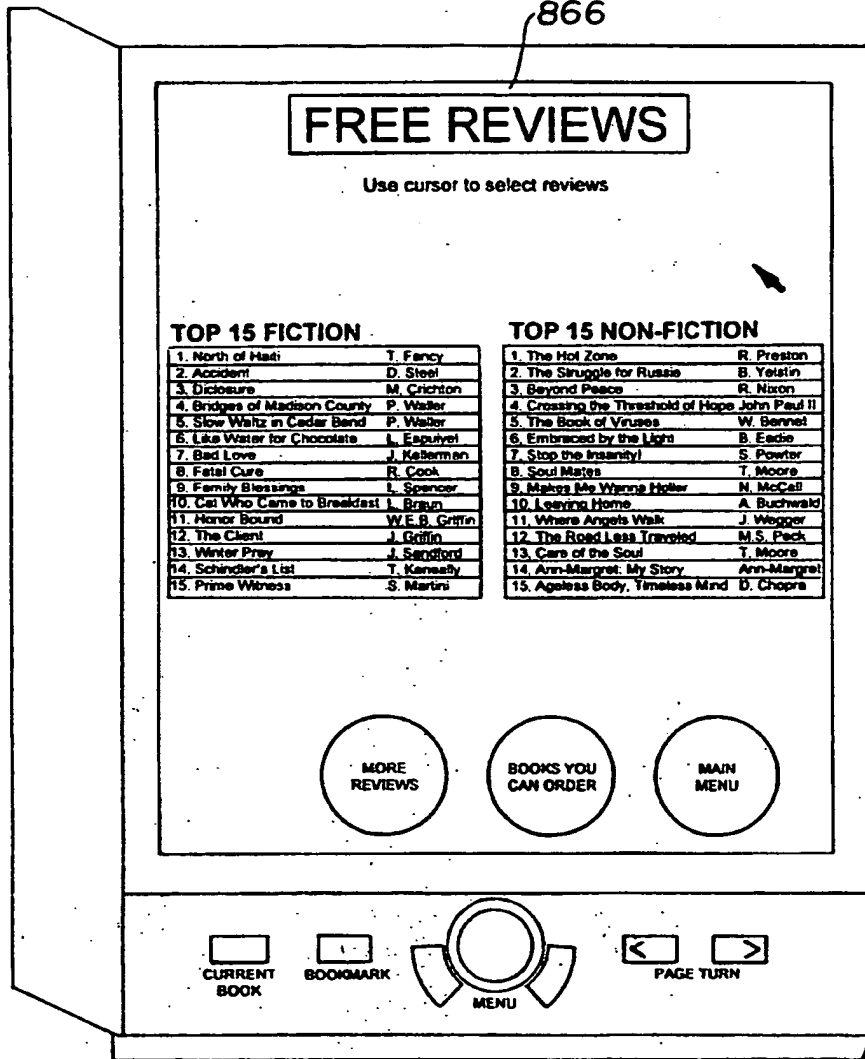
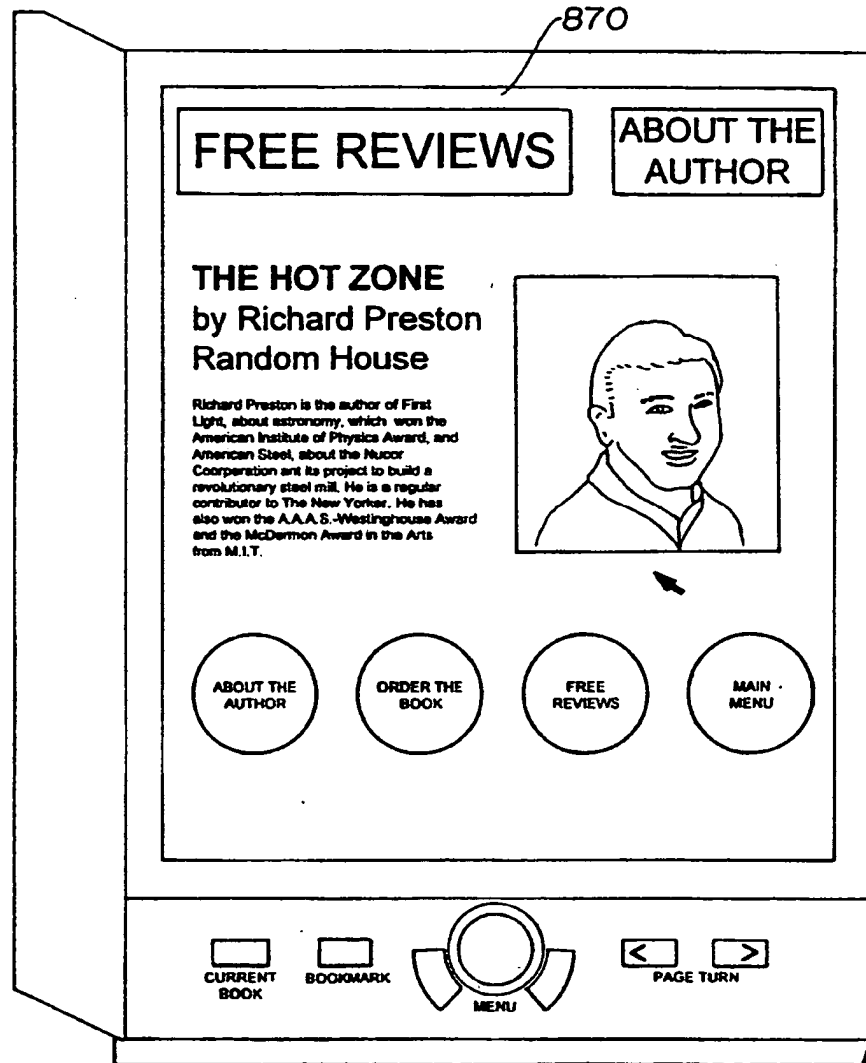


Fig. 14i

866

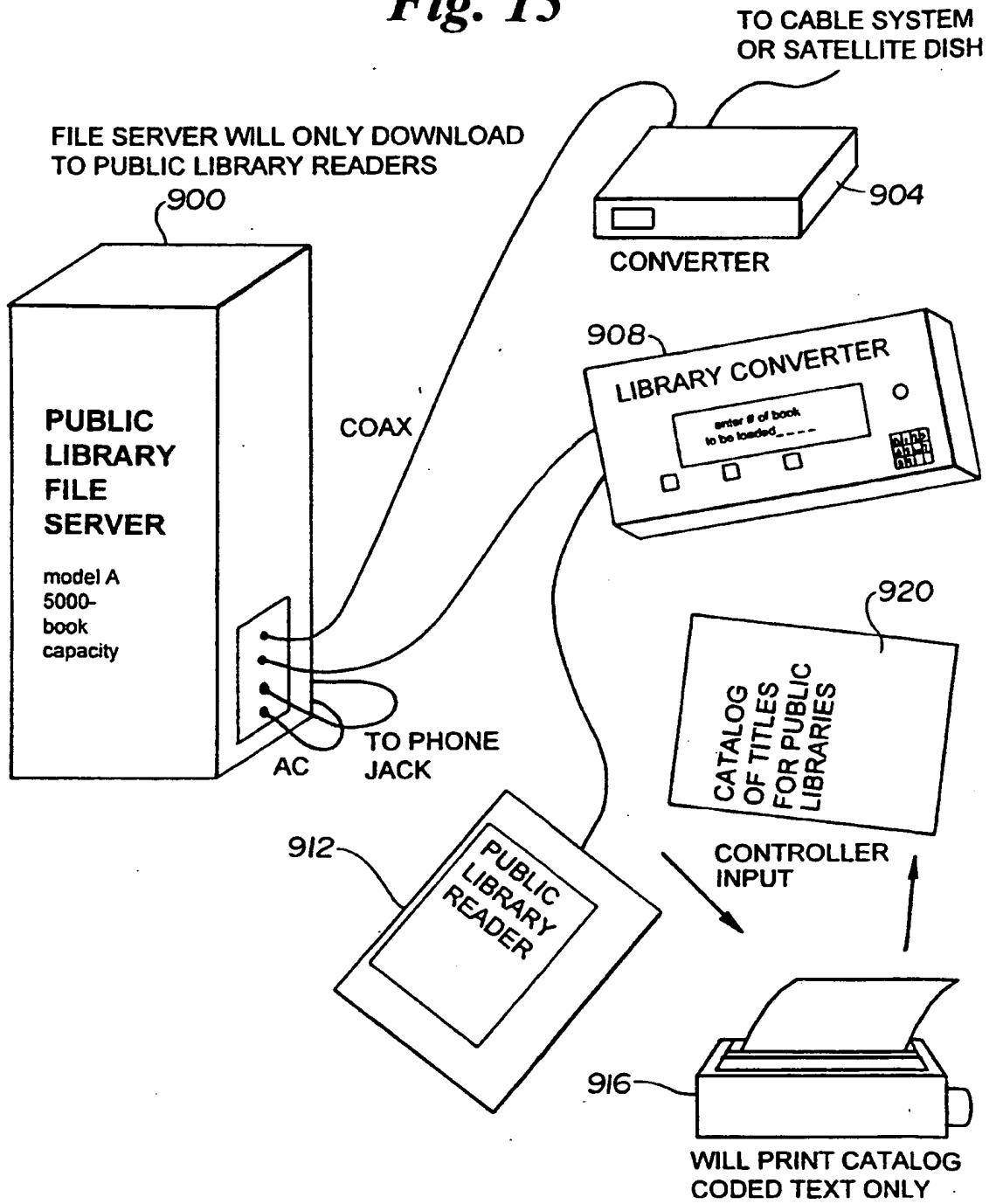


**Fig. 14j**





**Fig. 15**



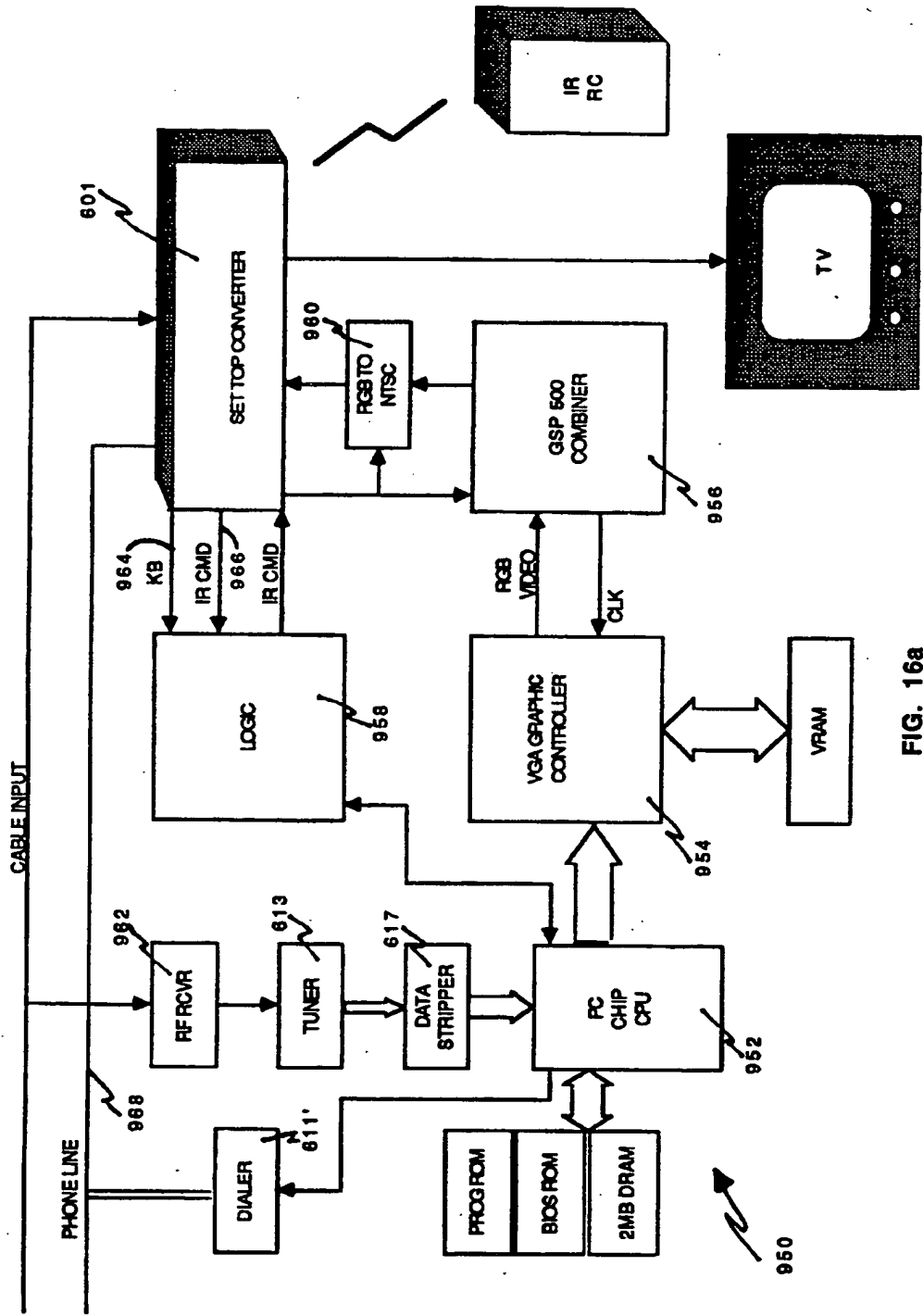


FIG. 16a

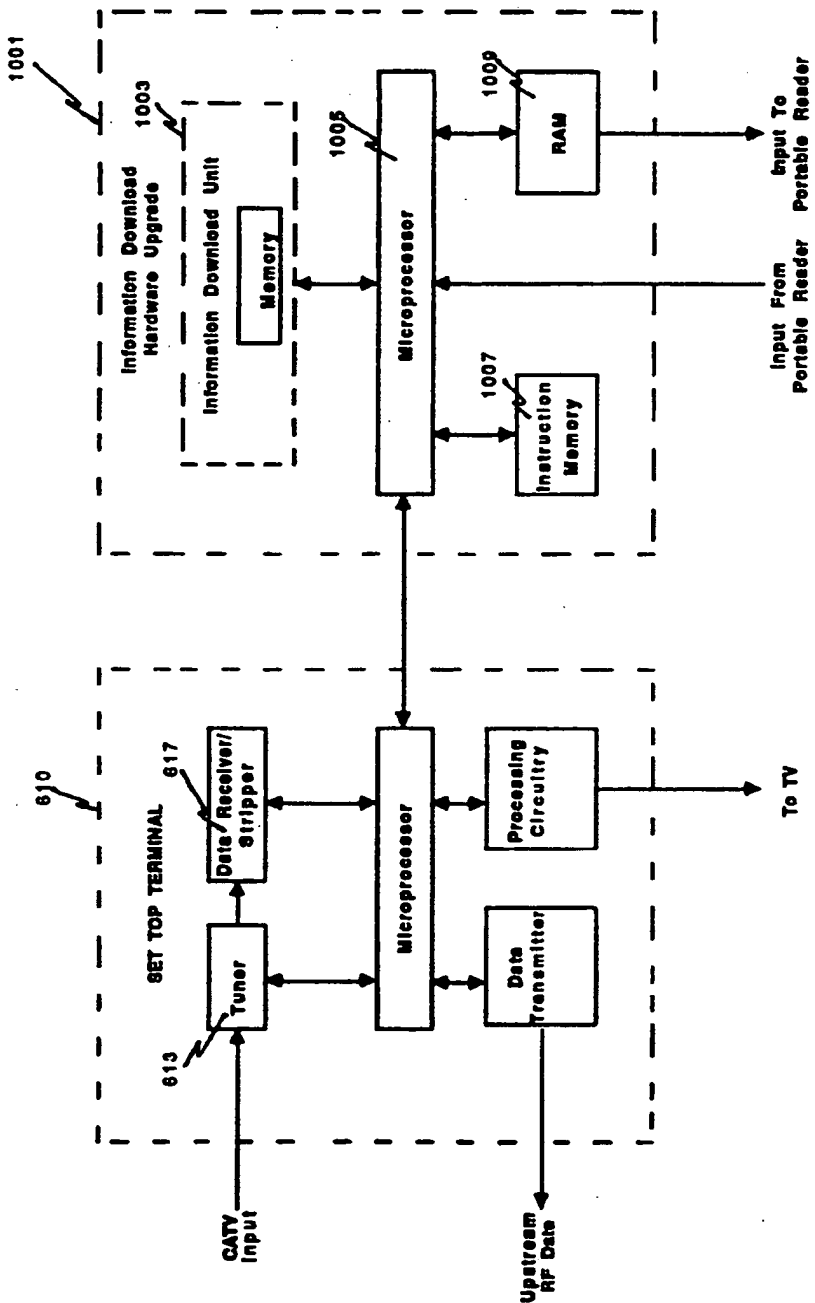


FIG. 16b

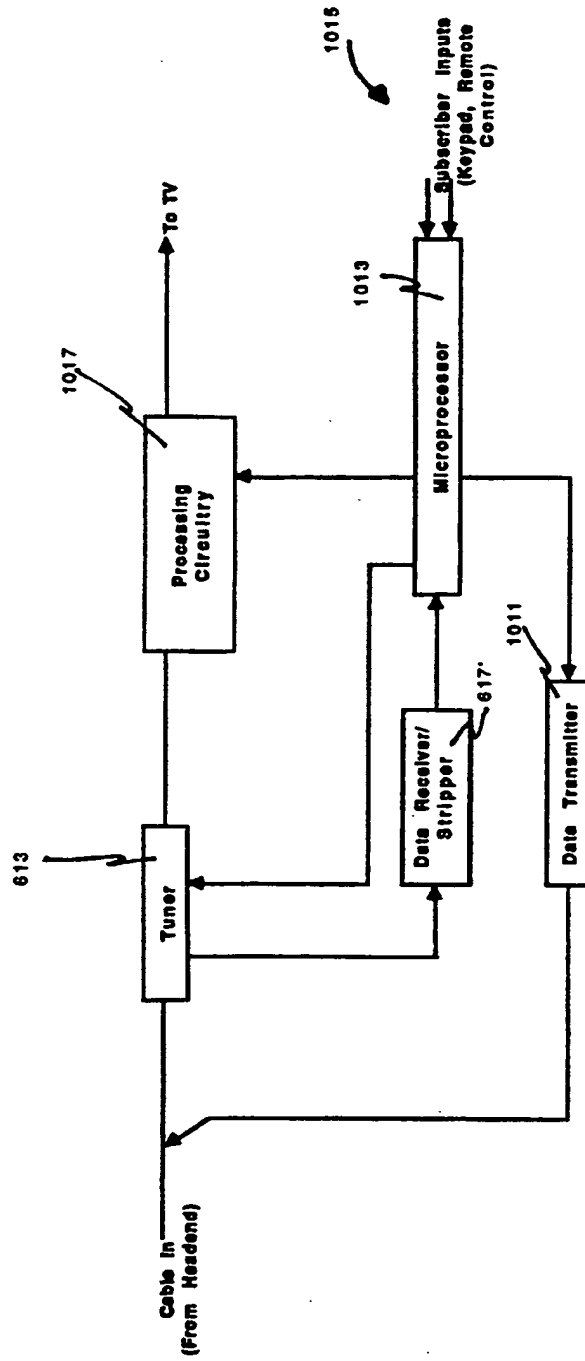
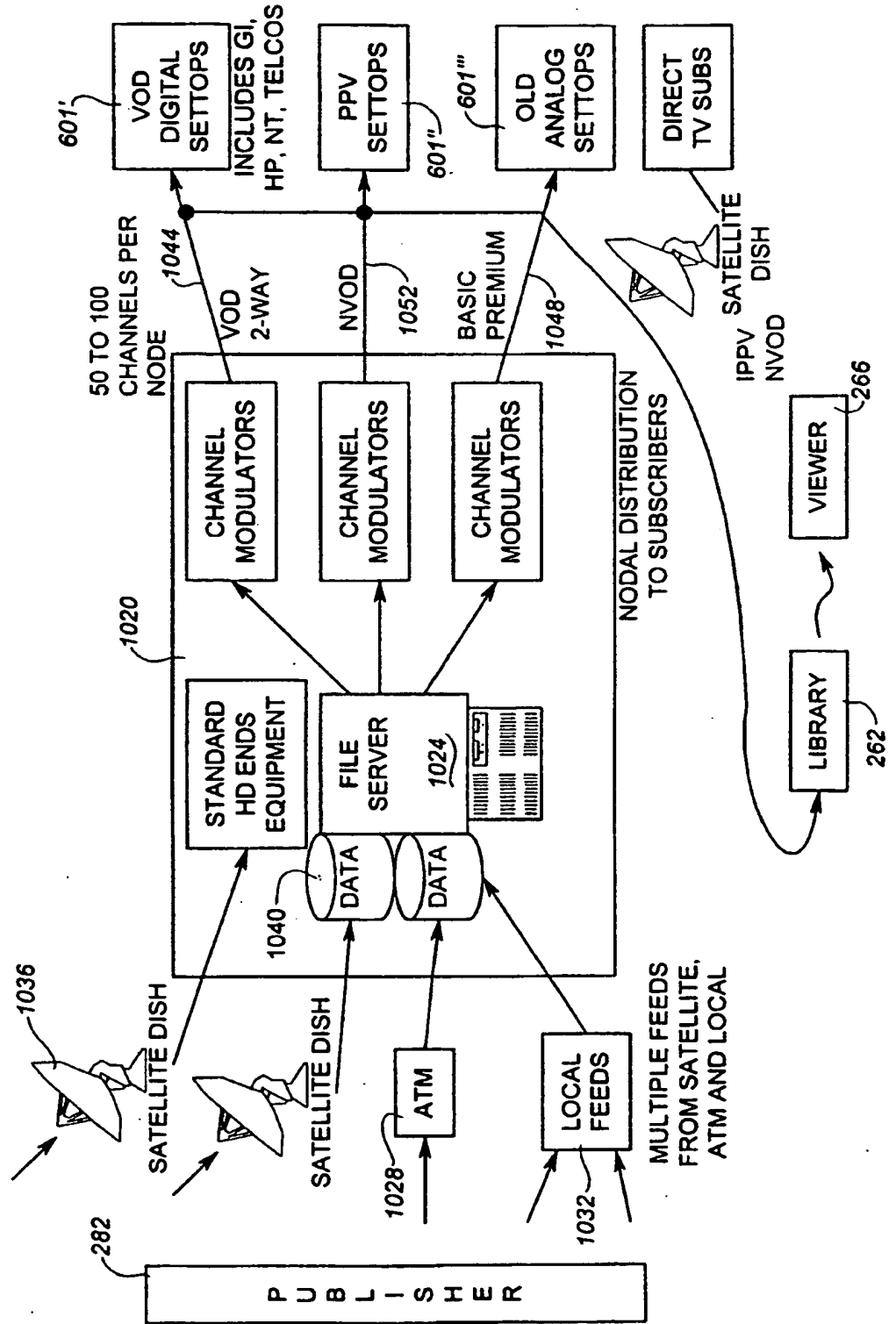


FIG. 17

Set Top Terminal Upstream Data Transmission Hardware

Fig. 18a



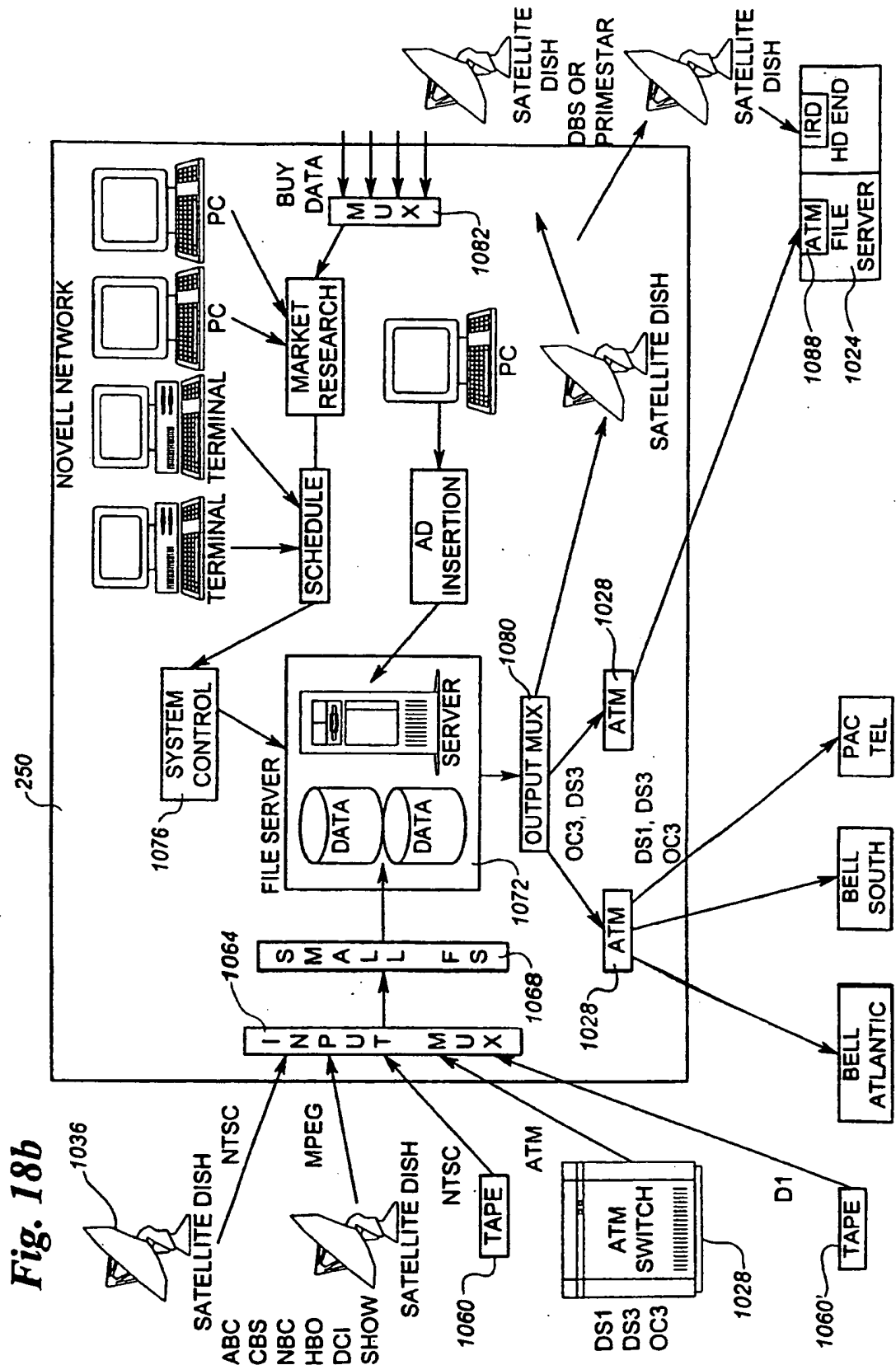


Fig. 18b

# INTERNATIONAL SEARCH REPORT

Int. onal Application No  
**PCT/US 94/13808**

**A. CLASSIFICATION OF SUBJECT MATTER**  
IPC 6 H04N7/087

According to International Patent Classification (IPC) or to both national classification and IPC

**B. FIELDS SEARCHED**

Minimum documentation searched (classification system followed by classification symbols)  
IPC 6 H04N

Documentation searched other than minimum documentation to the extent that such documents are included in the fields searched

Electronic data base consulted during the international search (name of data base and, where practical, search terms used)

**C. DOCUMENTS CONSIDERED TO BE RELEVANT**

Category *	Citation of document, with indication, where appropriate, of the relevant passages	Relevant to claim No.
A	WO,A,92 12599 (YURT) 23 July 1992  see page 3, line 12 - page 4, line 27 see page 9, line 13 - page 19, line 3; figures 2A,2B see page 22, line 8 - line 12 see page 29, line 16 - line 25 ---	1,25,30, 34,40, 41,49, 50,52,56
A	ARCHIV FÜR ELECTRONIK UND UBERTRAGUNGSTECHNIK, vol.40, no.6, December 1986 pages 397 - 401 H. VAN DEN BOOM 'An Interactive Videotex System for Two-Way CATV Networks' see the whole document --- -/--	1,25,30, 41,50,52

Further documents are listed in the continuation of box C.

Patent family members are listed in annex.

\* Special categories of cited documents :

- 'A' document defining the general state of the art which is not considered to be of particular relevance
- 'E' earlier document but published on or after the international filing date
- 'L' document which may throw doubts on priority claim(s) or which is cited to establish the publication date of another citation or other special reason (as specified)
- 'O' document referring to an oral disclosure, use, exhibition or other means
- 'P' document published prior to the international filing date but later than the priority date claimed

- 'T' later document published after the international filing date or priority date and not in conflict with the application but cited to understand the principle or theory underlying the invention
- 'X' document of particular relevance; the claimed invention cannot be considered novel or cannot be considered to involve an inventive step when the document is taken alone
- 'Y' document of particular relevance; the claimed invention cannot be considered to involve an inventive step when the document is combined with one or more other such documents, such combination being obvious to a person skilled in the art.
- '&' document member of the same patent family

Date of the actual completion of the international search

**7 March 1995**

Date of mailing of the international search report

**05.04.95**

Name and mailing address of the ISA

European Patent Office, P.B. 5818 Patentlaan 2  
 NL - 2280 HV Rijswijk  
 Tel. (+31-70) 340-2040, Tx. 31 651 epo nl,  
 Fax (+31-70) 340-3016

Authorized officer

**Fuchs, P**

## INTERNATIONAL SEARCH REPORT

International Application No  
PCT/US 94/13808

C.(Continuation) DOCUMENTS CONSIDERED TO BE RELEVANT		
Category*	Citation of document, with indication, where appropriate, of the relevant passages	Relevant to claim No.
A	GB,A,2 168 227 (COMMUNICATIONS PATENTS LIMITED) 11 June 1986 see page 1, line 42 - line 55; figure 1 ---	34,40, 49,52
A	CA,A,2 044 574 (ANDERSON) 14 December 1992  see page 1, line 1 - page 3, line 20; claims 1-3; figures 1-4 ---	1,9,25, 30,41, 50,52,56
A	PATENT ABSTRACTS OF JAPAN vol. 18, no. 11 (P-1671) 10 January 1994 & JP,A,05 250 106 (MATSUSHITA ELECTRIC INDUSTRIAL CO.,LTD.) 28 September 1993 see abstract ---	1,25,50
A	PATENT ABSTRACTS OF JAPAN vol. 0, no. 225 (P-484) 6 August 1986 & JP,A,61 060 150 (FUJITSU LTD.) 27 March 1986 see abstract ---	1,10,12, 15,30
A	EP,A,0 243 312 (KUDELSKI SA) 28 October 1987 see column 4, line 60 - column 5, line 27; figure 3 see column 6, line 63 - column 8, line 44 ---	30,31,34
A	IEEE TRANSACTIONS ON CONSUMER ELECTRONICS, vol.CE-31, no.3, August 1985 pages 283 - 289 DR. G. T. SHARPLESS 'subscription teletext for value added services' see page 283, paragraph 1.1 - page 284, paragraph 2.2 see page 287, paragraph 4.1 - page 288, paragraph 6; figure 4 -----	30,34, 40,49,56



**INTERNATIONAL SEARCH REPORT**

Information on patent family members

Int. Patent Application No  
**PCT/US 94/13808**

Patent document cited in search report	Publication date	Patent family member(s)	Publication date
WO-A-9212599	23-07-92	US-A- 5132992	21-07-92
		AU-A- 1197092	17-08-92
		EP-A- 0566662	27-10-93
		JP-T- 6501601	17-02-94
		US-A- 5253275	12-10-93
-----			
GB-A-2168227	11-06-86	NONE	
-----			
CA-A-2044574	14-12-92	NONE	
-----			
EP-A-0243312	28-10-87	AU-B- 599646	26-07-90
		AU-A- 7157887	22-10-87
		EP-A- 0626793	30-11-94
		JP-A- 63023488	30-01-88
		JP-A- 5244591	21-09-93
		US-A- 5144663	01-09-92
-----			